



Plug-in Screw Connector System for Printed Circuit Boards

**TYPE 971-FBS (-DS)**

5 mm spacing - 2 to 24 poles



Distributor Stock Check



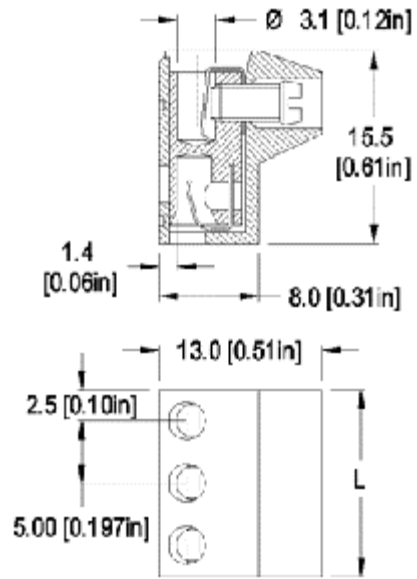
971-FBS (-DS)



One possible variation of assembly



RoHS WEEE Pb free compliant



Dimensions: mm (in.)

Length of Connector (L)

L = No. of Poles x Center to Center Spacing

When locating connector, allow 0.5 mm clearance around it for process-induced variations.

**Description**

- Plug
- Plug-In Direction and Wire Entrance Parallel to PCB when plugged with 950-SVG (-DS), 951-B-SV (-DS)
- Plug-In Direction and Wire Entrance Perpendicular to PCB when plugged with 971-FBSP, 971-SLK /-SLS /-SLW
- End-to-end stackable while maintaining the 5 mm spacing.

**Technical Data**

Center to Center Spacing: 5 mm (0.197 in.)  
Nominal Cross Section:

**Approval Information**

UL File No.E69841

CSA File No.LR24322

Rating	Current(A)	Voltage(V)	Application group	AWG
UL	10	300	B,D	22-14
CSA	15	300	B,D,E	22-10

\* Version DS is CSA certified for 26-14 AWG.  
UL: 24-26 AWG range for factory wiring only.

**Screw Tightening Torque:**

UL: 4.5 lbf·in  
CSA: 0.51 Nm

**International Approvals:**



2.5 mm<sup>2</sup> (3874 mils<sup>2</sup>)  
Wire Stripping Length: 6.5 mm (0.26 in.)



Rated Impulse Withstand Voltage: 2500 V

### Material

**Version:** 2 to 12 poles  
**Molding:** Polyamide, self extinguishing UL 94, V-0, color grey  
**Temperature limits:**  
**Short Time:** 140°C (284°F)  
**Continuous:** RTI 105°C (221°F)  
**Low Limit:** -40°C (-40°F)  
**Comparative Tracking Index:** CTI > 600  
**Oxygen Index Rating:** 32%

**Version:** 13 to 24 poles  
**Molding:** Polyamide (glass fiber reinforced), self extinguishing UL 94, V-0, color grey  
**Temperature limits:**  
**Short Time:** 200°C (392°F)  
**Continuous:** RTI 105°C (221°F)  
**Low Limit:** -40°C (-40°F)  
**Comparative Tracking Index:** CTI > 175  
**Oxygen Index Rating:** 33%

**Terminal Body:** Tin plated copper alloy  
**Wire Protector:** Tin plated copper alloy  
**Spring Clip:** Stainless steel strip  
**Screw:** M3, Slotted head, zinc plated blue passivated, steel substrate

Item 971-FBS (-DS)

### Options

- CN: Consecutive Numbering (hot stamped numbers)
- SM: Special Marking (please provide sketch)
- PS: Clear Chromate Passivated, zinc plated, Steel Screws
- WG: Wire Guide
- G05: Gold Plating (5 micro inches)
- G30: Gold Plating (30 micro inches)
- S30: Silver Plating (30 micro inches)

**Note:** Plated component: terminal body

### Accessories

971-FBS      WIRE PROTECTOR: with: - DS      /      POLES: 02 to 24

     /