



Screw Connectors for Printed Circuit Boards

TYPE 970-HENO (-DS)

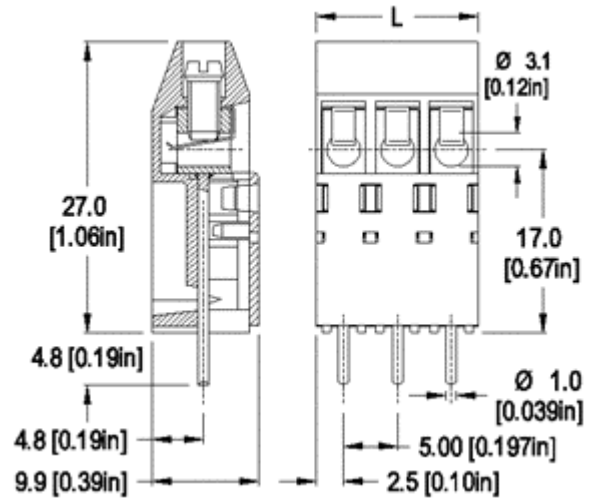
5 mm spacing - 2 to 12 poles



Distributor Stock Check



RoHS WEEE Pb free compliant



Dimensions: mm (in.)

Length of Connector (L)

$L = \text{No. of Poles} \times \text{Center to Center Spacing}$

When locating connector, allow 0.5 mm clearance around it for process-induced variations.

Description

Type 970-HENO (-DS) terminal block has been specially designed to allow effective potting of PC boards. The molding design prevents seepage of the potting material into the wire clamping area up to 14 mm (0.55 in.) from the board.

- High clearance above PCB
- Wire entrance parallel to PC Board

Technical Data

Center to Center Spacing: 5 mm (0.197 in.)

Nominal Cross Section:

2.5 mm² (3874 mils²)

Wire Stripping Length: 6.5 mm (0.26 in.)

Recommended Hole Diameter in PC Board:

1.3 mm (0.051 in.)

Approval Information

UL File No. E69841

CSA File No. LR24322

Rating	Current(A)	Voltage(V)	Application group	AWG
UL	20	300	B,D	22-12
CSA	15	300	B,D,E	22-10

* Version DS is CSA certified for 26-10 AWG.
UL: 24-26 AWG range for factory wiring only.

Screw Tightening Torque:

UL: 4.5 lbf·in

CSA: 0.51 Nm

Dimensions: mm (in.)

Rated Impulse Withstand Voltage: 2500 V

Material

Molding: Polyamide, self extinguishing UL 94, V-0, color grey

Temperature limits:

Short Time: 140°C (284°F)

Continuous: RTI 105°C (221°F)

Low Limit: -40°C (-40°F)

Comparative Tracking Index: CTI > 600

Oxygen Index Rating: 32%

Terminal Body: Tin plated copper alloy

Wire Protector: Tin plated copper alloy

Screw: M3, Slotted head, zinc plated blue passivated, steel substrate

Solder Pin: Ø 1.0 mm (0.04 in.), Tin plated copper alloy

Item

970-HENO (-DS)

Options

- CN: Consecutive Numbering (hot stamped numbers)
 - SM: Special Marking (please provide sketch)
 - PS: Clear Chromate Passivated, zinc plated, Steel Screws
 - WG: Wire Guide
 - G05: Gold Plating (5 micro inches)
 - G30: Gold Plating (30 micro inches)
 - S30: Silver Plating (30 micro inches)
 - XXMM: Longer solder Pins up to 61 mm (2.4 in.)
- Protruding length of pins, in millimeters:
- BS: Copper Alloy Screws

Note: Plated component: terminal body

Accessories

970-HENO WIRE PROTECTOR: POLES:
with: - DS 02 to 12
 /