



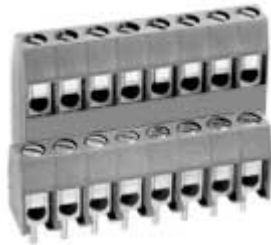
Screw Connectors for Printed Circuit Boards

TYPE 970-ENO (-DS)

5 mm spacing - 4 to 24 poles



Distributor Stock Check



RoHS WEEE Pb free compliant

Description

- Double level
- Wire entrance parallel to PC Board
- Rows are offset 2.5 mm (0.098 in.)
- 2nd row offset to the right from front, 3rd row offset to right from 2nd row
- Moldings are offset by 3.0 mm (0.118 in.)

Technical Data

Center to Center Spacing: 5 mm (0.197 in.)

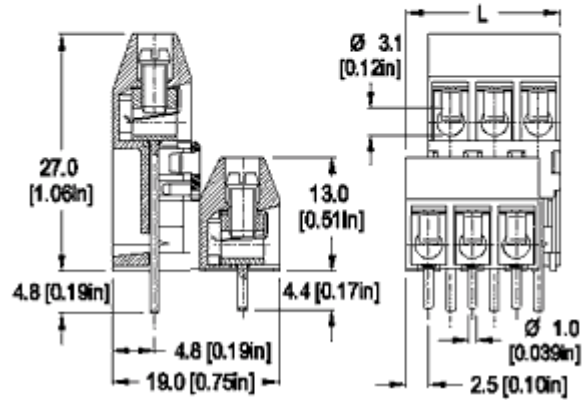
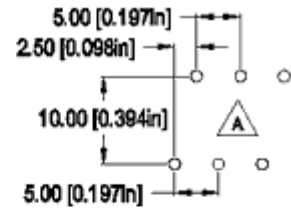
Nominal Cross Section:

2.5 mm² (3874 mils²)

Wire Stripping Length: 6.5 mm (0.26 in.)

Recommended Hole Diameter in PC Board:

1.3 mm (0.051 in.)



Dimensions: mm (in.)

Length of Connector (L)

$$L = (\text{No. of Poles} \times \text{Center to Center Spacing} / 2) + 3 \text{ mm} \quad (\text{A}) \text{ PCB hole layout}$$

When locating connector, allow 0.5 mm clearance around it for process-induced variations.

Approval Information

UL File No.E69841

CSA File No.LR24322

Rating	Current(A)	Voltage(V)	Application group	AWG
UL	20	300	B,D	26-12
CSA	15	300	B,D,E	22-10

* Version DS is CSA certified for 26-10 AWG.
UL: 24-26 AWG range for factory wiring only.

