



Screw Connectors for Printed Circuit Boards

TYPE 961 (-DS)

0.2 in. spacing - 2 to 32 poles



Distributor Stock Check



RoHS WEEE Pb free compliant

Description

- Solid version
- Wire entrance perpendicular to PC Board

Technical Data

Center to Center Spacing: 5.08 mm (0.200 in.)

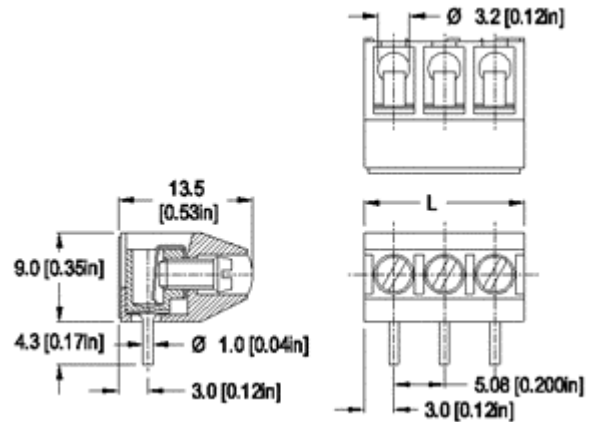
Nominal Cross Section:

2.5 mm² (3874 mils²)

Wire Stripping Length: 5.5 mm (0.22 in.)

Recommended Hole Diameter in PC Board:

1.3 mm (0.051 in.)



Dimensions: mm (in.)

Length of Connector (L)

L = No. of Poles x Center to Center Spacing + 0.04 in.

When locating connector, allow 0.5 mm clearance around it for process-induced variations.

Approval Information

UL File No. E69841

CSA File No. LR24322

Rating	Current(A)	Voltage(V)	Application group	AWG
UL	20	300	B,D	26-12
CSA	15	300	B,D,E	22-10

* Version DS is CSA certified for 26-10 AWG.
UL: 24-26 AWG range for factory wiring only.

Screw Tightening Torque:

UL: 4.5 lbf·in

CSA: 0.51 Nm

International Approvals:



Rated Impulse Withstand Voltage: 2500 V

