



Plug-in Screw Connector System for Printed Circuit Boards

TYPE 951-FB

5 mm spacing - 2 to 32 poles



Distributor Stock Check



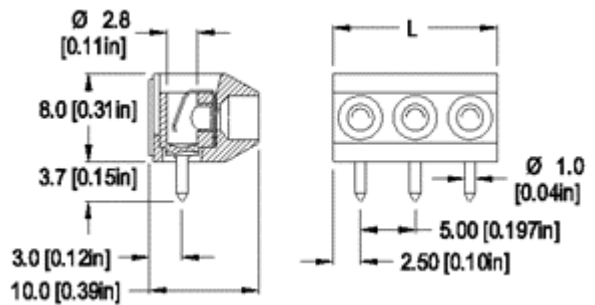
951-FB



One possible variation of assembly



RoHS WEEE Pb free compliant



Dimensions: mm (in.)

Length of Connector (L)

L = No. of Poles x Center to Center Spacing

When locating connector, allow 0.5 mm clearance around it for process-induced variations.

Approval Information

UL File No. E69841

CSA File No. LR24322

Rating	Current(A)	Voltage(V)	Application group	AWG
UL	7	300	B	
CSA	10	300	B	

Description

- Socket
- Plug-In Direction Perpendicular to PCB and Wire Entrance Parallel to PCB when plugged with 950-SV (-DS)
- Plug-In Direction and Wire Entrance Perpendicular to PCB when plugged with 951-SV (-DS)

International Approvals:



Technical Data

Center to Center Spacing: 5 mm (0.197 in.)

Nominal Cross Section:

1.5 mm² (2325 mils²)

Recommended Hole Diameter in PC Board:

1.3 mm (0.051 in.)

Material

Version: 2 to 8 poles

Molding: Polyamide, self extinguishing UL 94, V-0, color grey

Temperature limits:

Short Time: 140°C (284°F)

Continuous: RTI 105°C (221°F)

Low Limit: -40°C (-40°F)

Comparative Tracking Index: CTI > 600

Oxygen Index Rating: 32%

Version: 9 to 32 poles

Molding: Polyamide (glass fiber reinforced), self extinguishing UL 94, V-0, color grey

Temperature limits:

Short Time: 200°C (392°F)

Continuous: RTI 105°C (221°F)

Low Limit: -40°C (-40°F)

Comparative Tracking Index: CTI > 175

Oxygen Index Rating: 33%

Terminal Body: Tin plated copper alloy

Solder Pin: Ø 1.0 mm (0.04 in.), Tin plated copper alloy

Spring Clip: Stainless steel strip

Item

951-FB

Options

- CN: Consecutive Numbering (hot stamped numbers)
- SM: Special Marking (please provide sketch)
- G05: Gold Plating (5 micro inches)
- G30: Gold Plating (30 micro inches)
- S30: Silver Plating (30 micro inches)

Note: Plated component: terminal body

Accessories

951-FB/

POLES:
02 to 32