



Plug-in Screw Connector System for Printed Circuit Boards

TYPE 950-T-FL-DS

5 mm spacing - 2, 3 and 8 poles



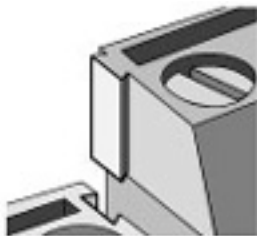
Distributor Stock Check



950-TFL-DS



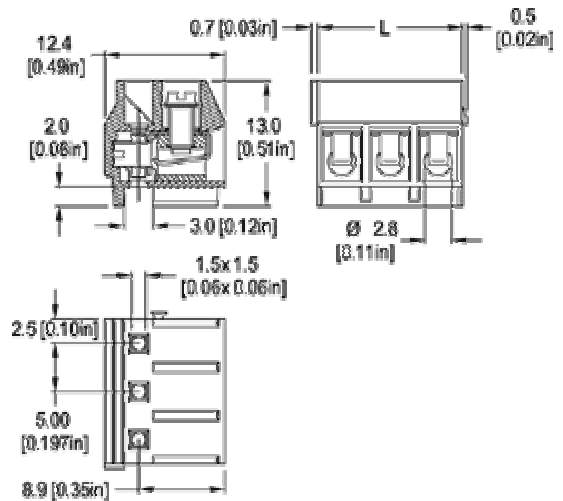
One possible variation of assembly



Dovetail Interlocking Feature



RoHS WEEE Pb free compliant



Dimensions: mm (in.)

Length of Connector (L)

L = No. of Poles x Center to Center Spacing

When locating connector, allow 0.5 mm clearance around it for process-induced variations.

Approval Information

UL File No.E69841

CSA File No.LR24322

Rating	Current(A)	Voltage(V)	Application group	AWG
UL	10	300	B	26-14
CSA	10	300	B,D,E	26-14

Description

- Plug
- ▲ Dovetail version

Screw Tightening Torque:

UL: 3.5 lbf·in

- Dovetail version
- Plug-In Direction Perpendicular to PCB and Wire Entrance Parallel to PCB when plugged with 971-SLK /-SLS /-SLW, 971-SLK-SMD, 971-SLK-THR, 971-SLK-CPL, 971-SLT-SMD
- Can be factory, field or distributor assembled to almost any length

---

### Technical Data

**Center to Center Spacing:** 5 mm (0.197 in.)  
**Nominal Cross Section:**  
 1.5 mm<sup>2</sup> (2325 mils<sup>2</sup>)  
**Wire Stripping Length:** 6 mm (0.25 in.)

---

CSA: 0.4 Nm  
**Rated Impulse Withstand Voltage:** 2500 V

---

### Material

**Molding:** Polyamide, self extinguishing UL 94, V-0, color grey

**Temperature limits:**

**Short Time:** 140°C (284°F)

**Continuous:** RTI 105°C (221°F)

**Low Limit:** -40°C (-40°F)

**Comparative Tracking Index:** CTI > 600

**Oxygen Index Rating:** 32%

**Terminal Body:** Nickel plated copper alloy

**Wire Protector and Contact Spring:** Tin plated copper alloy

**Screw:** M2.6, Slotted head, zinc plated blue passivated, steel substrate

---

### Item

950-T-FL-DS

### Options

- CN: Consecutive Numbering (hot stamped numbers)
- SM: Special Marking (please provide sketch)
- PS: Clear Chromate Passivated, zinc plated, Steel Screws
- G05: Gold Plating (5 micro inches)
- G30: Gold Plating (30 micro inches)
- S30: Silver Plating (30 micro inches)
- SLW: 971-SLW Pinstrips assembled to Plug

**Note:** Plated component: wire protector

**Ordering Note:** Voltage rating for 10 mm spacing is UL certified for 10A - 300V / B,D (952-T-FLDS).

### Accessories

950-T-FL-DS/

POLES:  
 02, 03 and 08