



Plug-in Screw Connector System for Printed Circuit Boards

TYPE 950-PFB

5 mm spacing - 2 to 32 poles



Distributor Stock Check



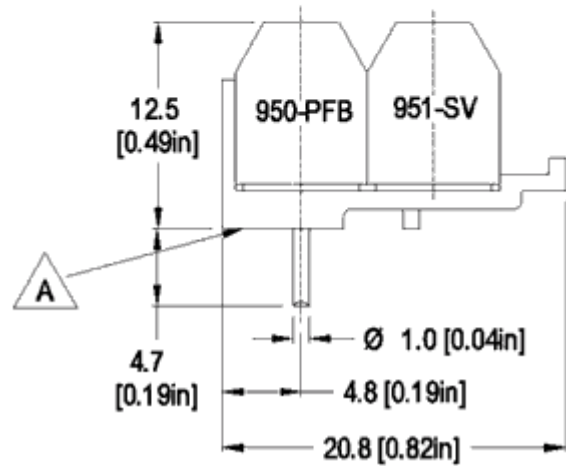
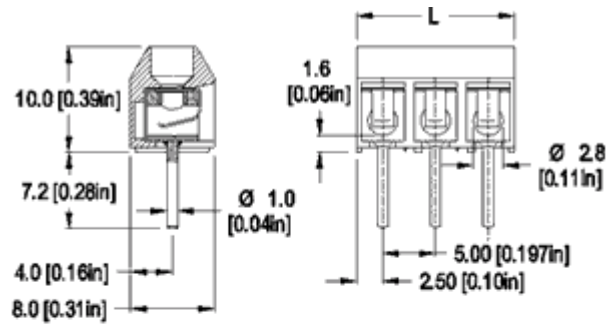
950-PFB



One assembly



RoHS WEEE Pb free compliant



Dimensions: mm (in.)

Length of Connector (L)
 $L = \text{No. of Poles} \times \text{Center to Center Spacing}$
 (A) Assembly on interlocking plate

When locating connector, allow 0.5 mm clearance around it for process-induced variations.

Description



- Socket
- Plug-In Direction and Wire Entrance Parallel to PCB when plugged with 951-SV (-DS)
- The 950-PFB sockets are provided with solder pins 2.8 mm longer than the standard type to allow for the thickness of the type 95-P interlocking plate

Approval Information



Technical Data

Center to Center Spacing: 5 mm (0.197 in.)
Recommended Hole Diameter in PC Board:
1.3 mm (0.051 in.)

UL File No.E69841 
CSA File No.LR24322 

| Rating | Current(A) | Voltage(V) | Application group | AWG |
|--------|------------|------------|-------------------|-----|
| UL | 7 | 300 | B | |
| CSA | 10 | 300 | B | |

International Approvals:



Material

Version: 2 to 8 poles
Molding: Polyamide, self extinguishing UL 94, V-0, color grey
Temperature limits:
Short Time: 140°C (284°F)
Continuous: RTI 105°C (221°F)
Low Limit: -40°C (-40°F)
Comparative Tracking Index: CTI > 600
Oxygen Index Rating: 32%

Version: 9 to 32 poles
Molding: Polyamide (glass fiber reinforced), self extinguishing UL 94, V-0, color grey
Temperature limits:
Short Time: 200°C (392°F)
Continuous: RTI 105°C (221°F)
Low Limit: -40°C (-40°F)
Comparative Tracking Index: CTI > 175
Oxygen Index Rating: 33%

Terminal Body: Tin plated copper alloy
Solder Pin: Ø 1.0 mm (0.04 in.), Tin plated copper alloy
Spring Clip: Stainless steel strip

Item

950-PFB

- G05: Gold Plating (5 micro inches)
 - G30: Gold Plating (30 micro inches)
 - S30: Silver Plating (30 micro inches)
 - XXMM: Longer solder Pins up to 75 mm (3 in.)
- Protruding length of pins, in millimeters:

Note: Plated component: terminal body

Accessories

950-PFB/

POLES:
02 to 32