



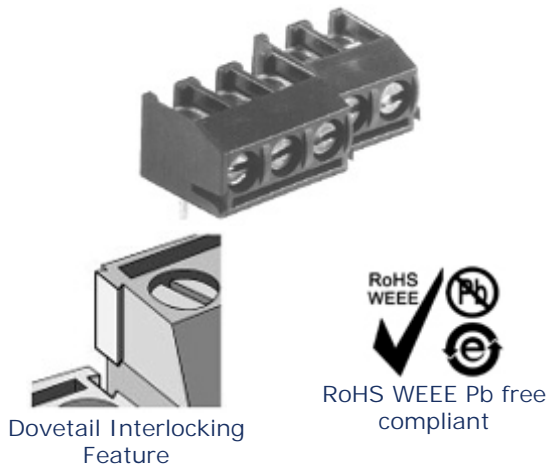
Screw Connectors for Printed Circuit Boards

TYPE 941-T (-DS)

0.2 in. spacing - 2 and 3 poles

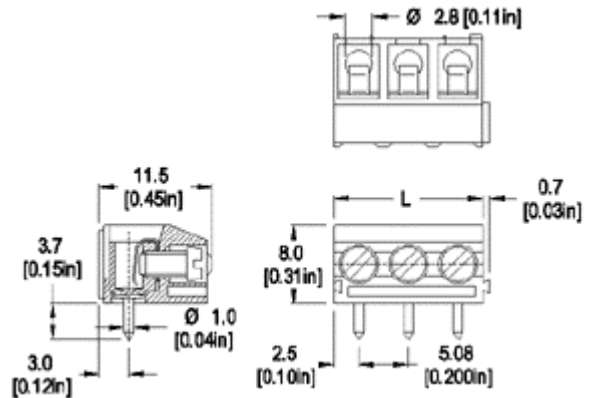


Distributor Stock Check



Dovetail Interlocking Feature

RoHS WEEE Pb free compliant



Dimensions: mm (in.)

Length of Connector (L)  
L = No. of Poles x Center to Center Spacing

When locating connector, allow 0.5 mm clearance around it for process-induced variations.

Description

- Dovetail version
- low profile
- Wire entrance perpendicular to PC Board
- Can be factory, field or distributor assembled to almost any length

Approval Information

UL File No.E69841

CSA File No.LR24322

Technical Data

Center to Center Spacing: 5.08 mm (0.200 in.)

Nominal Cross Section:

1.5 mm<sup>2</sup> (2325 mils<sup>2</sup>)

Wire Stripping Length: 6 mm (0.25 in.)

Recommended Hole Diameter in PC Board:

1.3 mm (0.051 in.)

Rating	Current(A)	Voltage(V)	Application group	AWG
UL	15	300	B	26-14
CSA	15	300	B	26-12

\* Version DS is CSA certified for 26-14 AWG.

Screw Tightening Torque:

UL: 3.5 lbf·in

CSA: 0.4 Nm

International Approvals:



Rated Impulse Withstand Voltage: 2500 V

---

### Material

**Molding:** Polyamide, self extinguishing UL 94, V-0, color grey

**Temperature limits:**

**Short Time:** 140°C (284°F)

**Continuous:** RTI 105°C (221°F)

**Low Limit:** -40°C (-40°F)

**Comparative Tracking Index:** CTI > 600

**Oxygen Index Rating:** 32%

**Terminal Body:** Tin plated copper alloy

**Wire Protector:** Tin plated copper alloy

**Screw:** M2.6, Slotted head, zinc plated blue passivated, steel substrate

**Solder Pin:** Ø 1.0 mm (0.04 in.), Tin plated copper alloy

---

Item 941-T (-DS)

### Options

- CN: Consecutive Numbering (hot stamped numbers)
- SM: Special Marking (please provide sketch)
- BS: Copper Alloy Screws
- PS: Clear Chromate Passivated, zinc plated, Steel Screws
- G05: Gold Plating (5 micro inches)
- G30: Gold Plating (30 micro inches)
- S30: Silver Plating (30 micro inches)

**Note:** Plated component: terminal body

### Accessories

941-T      WIRE PROTECTOR:      POLES:  
with: - DS      02 and 03  
 /