



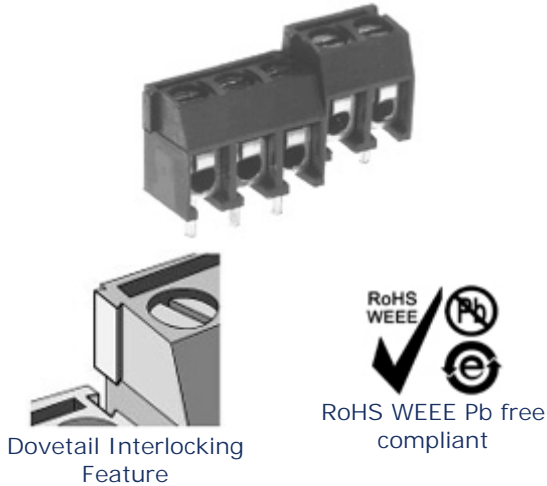
Screw Connectors for Printed Circuit Boards

TYPE 940-T (-DS)

0.2 in. spacing - 2 and 3 poles

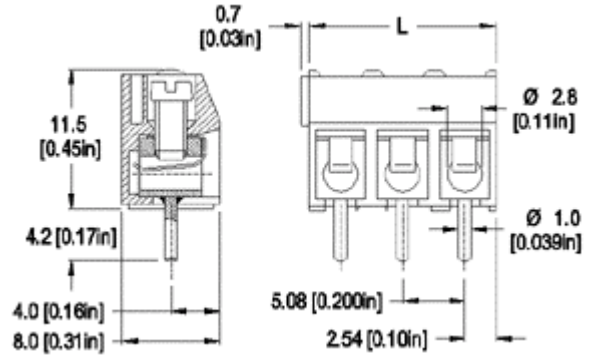


Distributor Stock Check



Dovetail Interlocking Feature

RoHS WEEE Pb free compliant



Dimensions: mm (in.)

Length of Connector (L)
L = No. of Poles x Center to Center Spacing

When locating connector, allow 0.5 mm clearance around it for process-induced variations.

Description

- Dovetail version
- low profile
- Wire entrance parallel to PC Board
- Can be factory, field or distributor assembled to almost any length

Approval Information

UL File No.E69841
CSA File No.LR24322

Technical Data

Center to Center Spacing: 5.08 mm (0.200 in.)
Nominal Cross Section:
1.5 mm² (2325 mils²)
Wire Stripping Length: 6 mm (0.25 in.)
Recommended Hole Diameter in PC Board:
1.3 mm (0.051 in.)

Rating	Current(A)	Voltage(V)	Application group	AWG
UL	15	300	B	26-14
CSA	15	300	B	26-12

* Version DS is CSA certified for 26-14 AWG.

Screw Tightening Torque:

UL: 3.5 lbf·in
CSA: 0.4 Nm

International Approvals:



