



Screw Connectors for Printed Circuit Boards

TYPE 940 (-DS)

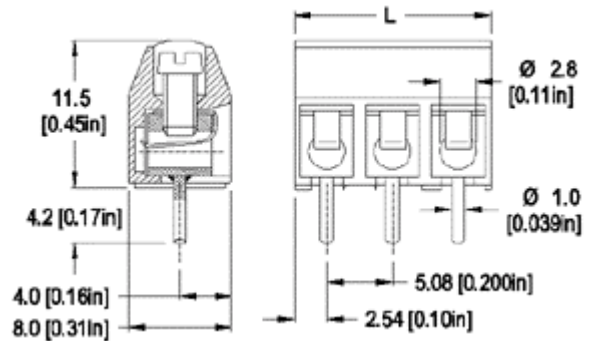
0.2 in. spacing - 2 to 32 poles



Distributor Stock Check



RoHS WEEE Pb free compliant



Dimensions: mm (in.)

Length of Connector (L)

L = No. of Poles x Center to Center Spacing

When locating connector, allow 0.5 mm clearance around it for process-induced variations.

Description

- Solid version
- low profile
- Wire entrance parallel to PC Board

Technical Data

Center to Center Spacing: 5.08 mm (0.200 in.)

Nominal Cross Section:

1.5 mm<sup>2</sup> (2325 mils<sup>2</sup>)

Wire Stripping Length: 6 mm (0.25 in.)

Recommended Hole Diameter in PC Board:

1.3 mm (0.051 in.)

Approval Information

UL File No.E69841

CSA File No.LR24322

Rating	Current(A)	Voltage(V)	Application group	AWG
UL	15	300	B	26-14
CSA	15	300	B	26-12

\* Version DS is CSA certified for 26-14 AWG.

Screw Tightening Torque:

UL: 3.5 lbf·in

CSA: 0.4 Nm

International Approvals:



Rated Impulse Withstand Voltage: 2500 V

---

### Material

**Version:** 2 to 8 poles  
**Molding:** Polyamide, self extinguishing UL 94, V-0, color grey  
**Temperature limits:**  
**Short Time:** 140°C (284°F)  
**Continuous:** RTI 105°C (221°F)  
**Low Limit:** -40°C (-40°F)  
**Comparative Tracking Index:** CTI > 600  
**Oxygen Index Rating:** 32%

**Version:** 9 to 32 poles  
**Molding:** Polyamide (glass fiber reinforced), self extinguishing UL 94, V-0, color grey  
**Temperature limits:**  
**Short Time:** 200°C (392°F)  
**Continuous:** RTI 105°C (221°F)  
**Low Limit:** -40°C (-40°F)  
**Comparative Tracking Index:** CTI > 175  
**Oxygen Index Rating:** 33%

**Terminal Body:** Tin plated copper alloy  
**Wire Protector:** Tin plated copper alloy  
**Screw:** M2.6, Slotted head, zinc plated blue passivated, steel substrate  
**Solder Pin:** Ø1.0 mm (0.04 in.), Tin plated copper alloy

---

Item 940 (-DS)

Options

**CM** Consecutive Numbering (not stamped numbers)

WIRE PROTECTOR:  
with: - DS

POLES:  
02 to 32

940

/

**Ordering Note:** Voltage rating for 0.4 in. spacing is UL certified for 15A - 300V / B and for 10A - 300V / D (942 (-DS)).

**Ordering Note:** Voltage rating for 0.4 in. spacing is UL certified for 15A - 300V / B and for 10A - 300V / D (942 (-DS)).

**Accessories**

	WIRE PROTECTOR:		POLES:
	with: - DS		02 to 32
940	<input type="text"/>	/	<input type="text"/>