



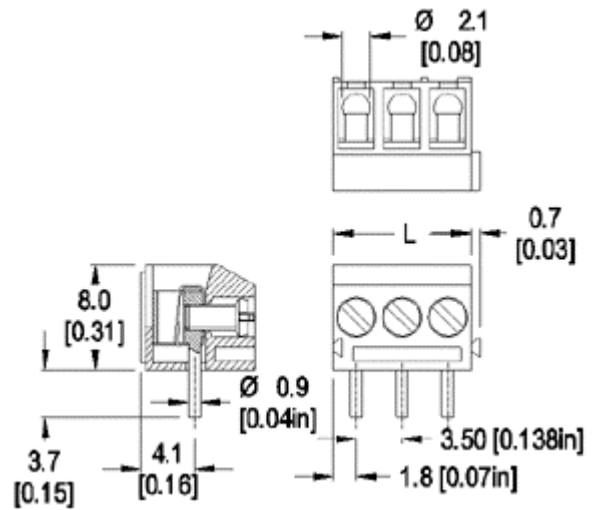
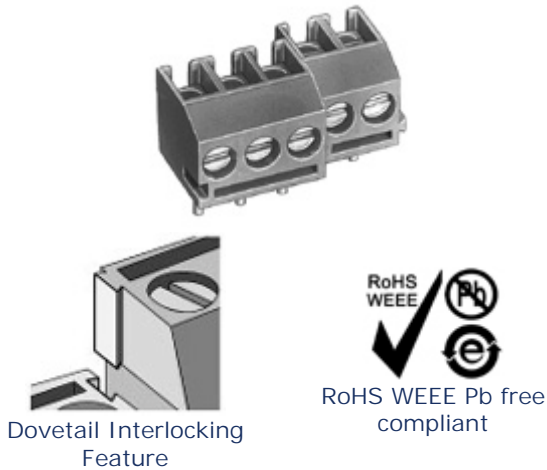
Screw Connectors for Printed Circuit Boards

TYPE 931-T (-DS)

3.5 mm spacing - 2 and 3 poles



Distributor Stock Check



Description

- Dovetail version
- low profile
- Wire entrance perpendicular to PC Board
- Can be factory, field or distributor assembled to almost any length

Technical Data

Center to Center Spacing: 3.5 mm (0.138 in.)  
 Nominal Cross Section: 1 mm<sup>2</sup> (1550 mils<sup>2</sup>)  
 Wire Stripping Length: 6 mm (0.25 in.)  
 Recommended Hole Diameter in PC Board: 1.2 mm (0.047 in.)

Approval Information

UL File No.E69841   
 CSA File No.LR24322

| Rating | Current(A) | Voltage(V) | Application group | AWG   |
|--------|------------|------------|-------------------|-------|
| UL     | 10         | 300        | B                 | 26-16 |
| CSA    | 7          | 300        | B,E               | 26-16 |

\* DS version is CSA certified for 26-18 AWG.

**Screw Tightening Torque:**

UL: 2.0 lbf·in

CSA: 0.2 Nm

**Rated Impulse Withstand Voltage:** 2500 V

---

**Material**

**Molding:** Polyamide, self extinguishing UL 94, V-0, color grey

**Temperature limits:**

**Short Time:** 140°C (284°F)

**Continuous:** RTI 105°C (221°F)

**Low Limit:** -40°C (-40°F)

**Comparative Tracking Index:** CTI > 600

**Oxygen Index Rating:** 33%

**Terminal Body:** Tin plated copper alloy

**Wire Protector:** Nickel silver

**Screw:** M2, Slotted head, zinc plated blue passivated, steel substrate

**Solder Pin:** Ø 0.9 mm (0.035 in.), Tin plated copper alloy

---

**Item** 931-T (-DS)

**Options**

- CN: Consecutive Numbering (hot stamped numbers)
- SM: Special Marking (please provide sketch)
- G05: Gold Plating (5 micro inches)
- G30: Gold Plating (30 micro inches)
- S30: Silver Plating (30 micro inches)

**Note:** Plated component: terminal body

**Accessories**

931-T      WIRE PROTECTOR:      POLES:  
with: - DS      02 and 03  
 /