



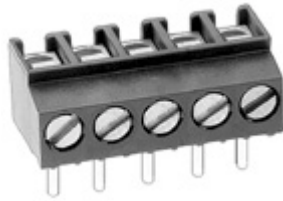
Screw Connectors for Printed Circuit Boards

TYPE 931 (-DS)

3.5 mm spacing - 2 to 24 poles



Distributor Stock Check



RoHS WEEE Pb free compliant (version without DS only)

Description

- Solid version
- low profile
- Wire entrance perpendicular to PC Board

Technical Data

Center to Center Spacing: 3.5 mm (0.138 in.)

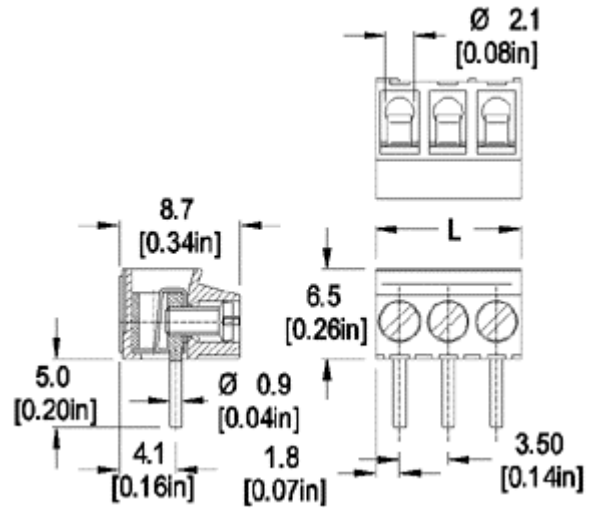
Nominal Cross Section:

1 mm² (1550 mils²)

Wire Stripping Length: 5 mm (0.197 in.)

Recommended Hole Diameter in PC Board:

1.2 mm (0.047 in.)



Dimensions: mm (in.)

Length of Connector (L)

L = No. of Poles x Center to Center Spacing

When locating connector, allow 0.5 mm clearance around it for process-induced variations.

Approval Information

UL File No. E69841

CSA File No. LR24322

Rating	Current(A)	Voltage(V)	Application group	AWG
UL	10	300	B	26-16
CSA	7	300	B,E	26-16

* DS version is CSA certified for 26-18 AWG.

Screw Tightening Torque:

UL: 2.0 lbf·in

CSA: 0.2 Nm

Rated Impulse Withstand Voltage: 2500 V

Material

Molding: Polyamide, self extinguishing UL 94, V-0, color grey

Temperature limits:

Short Time: 140°C (284°F)

Continuous: RTI 105°C (221°F)

Low Limit: -40°C (-40°F)

Comparative Tracking Index: CTI > 600

Oxygen Index Rating: 33%

Terminal Body: Tin plated copper alloy

Wire Protector: Nickel silver

Screw: M2, Slotted head, zinc plated blue passivated, steel substrate

Solder Pin: Ø 0.9 mm (0.035 in.), Tin plated copper alloy

Item

931 (-DS)

Options

- CN: Consecutive Numbering (hot stamped numbers)
- SM: Special Marking (please provide sketch)
- G05: Gold Plating (5 micro inches)
- G30: Gold Plating (30 micro inches)
- S30: Silver Plating (30 micro inches)

Note: Plated component: terminal body

Ordering Note: Version with 7 mm spacing (933 (-DS)).

Accessories

931	WIRE PROTECTOR: with: - DS <input style="width: 80px; height: 20px;" type="text"/>	/	POLES: 02 to 24 <input style="width: 80px; height: 20px;" type="text"/>
------------	--	---	---