



Plug-in Screw Connector System for Printed Circuit Boards

TYPE 930-FL (-DS)

3.5 mm spacing - 2 to 24 poles



Distributor Stock Check



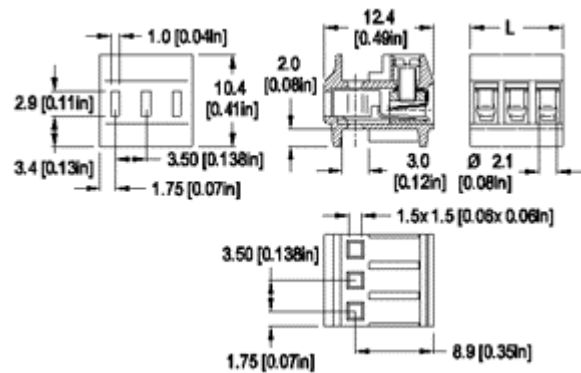
930-FL (-DS)



One possible variation of assembly



RoHS WEEE Pb free compliant



Dimensions: mm (in.)

Length of Connector (L)

L = No. of Poles x Center to Center Spacing

When locating connector, allow 0.5 mm clearance around it for process-induced variations.

Approval Information

UL File No.E69841

CSA File No.LR24322

Rating	Current(A)	Voltage(V)	Application group	AWG
UL	6	300	B	30-18
CSA	6	300	B	28-18

* DS version is CSA certified for 28-20 AWG.

Screw Tightening Torque:

UL: 2.0 lbf-in

CSA: 0.2 Nm

Rated Impulse Withstand Voltage: 2500 V

Description

- Plug
- Plug-In Direction Perpendicular to PCB and Wire Entrance Parallel to PCB when plugged with 931-SLS
- Plug-In Direction and Wire Entrance Perpendicular to PCB when plugged with 931-FST

