



Screw Connectors for Printed Circuit Boards

TYPE 910 (-B) (-DS)

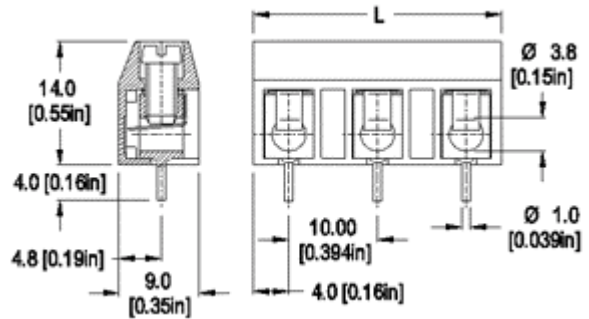
10 mm spacing - 2 to 12 poles



Distributor Stock Check



RoHS WEEE Pb free compliant



Dimensions: mm (in.)

Length of Connector (L)

L = No. of Poles x Center to Center Spacing - 2 mm

When locating connector, allow 0.5 mm clearance around it for process-induced variations.

Description

- standard version
- Wire entrance parallel to PC Board
- 1 PCB Pin per pole
- (-B): Special Solder Pin: \varnothing 1.5 mm

Technical Data

Center to Center Spacing: 10 mm (0.394 in.)

Nominal Cross Section:

4 mm² (6199 mils²)

Wire Stripping Length: 6 mm (0.25 in.)

Recommended Hole Diameter in PC Board:

910 (-DS): 1.3 mm (0.051 in.) 910-B (-DS): 1.8 mm (0.07 in.)

Approval Information

UL File No.E69841

CSA File No.LR24322

Rating	Current(A)	Voltage(V)	Application group	AWG
UL	25	300	B,C	18-10
CSA	25	300	B,D,E	22-10

* Version DS is CSA certified for 26-10 AWG.

Screw Tightening Torque:

UL: 7.0 lbf·in

CSA: 0.79 Nm

International Approvals:



Rated Impulse Withstand Voltage: 6000 V

Material

Molding: Polyamide, self extinguishing UL 94, V-0, color grey

Temperature limits:

Short Time: 140°C (284°F)

Continuous: RTI 105°C (221°F)

Low Limit: -40°C (-40°F)

Comparative Tracking Index: CTI > 600

Oxygen Index Rating: 33%

Wire Protector: Tin plated copper alloy
Screw: M3.5, Slotted head, zinc plated blue passivated, steel substrate
Solder Pin: Ø 1.0 mm (0.04 in.), Tin plated copper alloy
Terminal Body: Tin plated copper alloy

Item 910 (-B) (-DS)

Options

- CN: Consecutive Numbering (hot stamped numbers)
- SM: Special Marking (please provide sketch)
- BS: Copper Alloy Screws
- PS: Clear Chromate Passivated, zinc plated, Steel Screws
- G05: Gold Plating (5 micro inches)
- G30: Gold Plating (30 micro inches)
- S30: Silver Plating (30 micro inches)

Note: Plated component: terminal body

Accessories

	SOLDER PIN DIAMETER: 1.0 mm: leave blank 1.5 mm : - B	WIRE PROTECTOR: with: - DS	POLES: 02 to 12
910	<input type="text"/>	<input type="text"/>	/ <input type="text"/>