



Eurostyle Screw Terminal Strips for Panel / Chassis Mounting

TYPE 327 (-HDS)

14.5 mm spacing - 1 to 12 poles



Distributor Stock Check



RoHS WEEE Pb free compliant

Description

- standard version
- Recommended mounting hardware: M4 pan head screw (#8-32 pan head screw) or similar sized sheet metal screw, self-tapping screw or rivet.

Technical Data

Center to Center Spacing: 14.5 mm (0.571 in.)

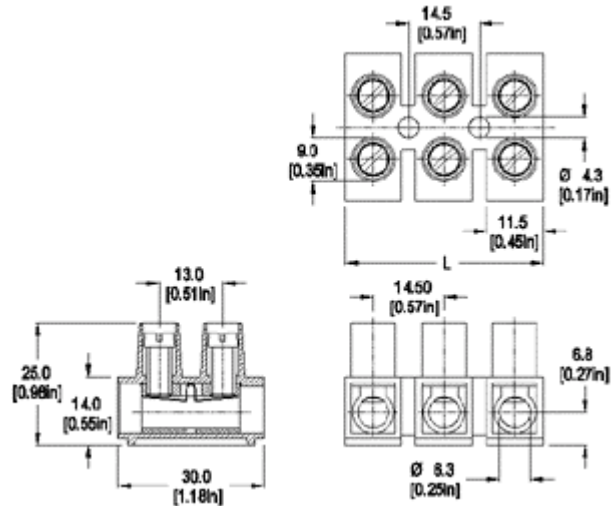
Nominal Cross Section:

16 mm² (24796 mils²)

Wire Stripping Length: 9 mm (0.35 in.)

Application

The panel and chassis mounted series are ideal for connecting electrical control panels to external power sources, signal sources, other electrical panels and electrical loads of many types and sizes. The electrical panel's or electrical enclosure's internal components and circuitry are connected to their appropriate external electrical circuitry through these terminal blocks. The screw tightened connections result in high contact forces thus promoting safe wire secureness and retention, low electrical resistance and safe reusable connections. All wire retention screws are captive in their towers and they cannot fall out during transportation, installation and use. Wire protectors are available to protect small gauge stranded wires from screw damage. These terminal strips can be completely enclosed within the enclosures or be placed at an enclosure opening with one side accessible for external cabling and the other for internal wiring. They can be specially marked to your specifications.



Dimensions: mm (in.)

Length of Connector (L)

L = No. of Poles x Center to Center Spacing - 3 mm

When locating connector, allow 0.5 mm clearance around it for process-induced variations.

Approval Information

UL File No. E69841

CSA File No. LR24322

Rating	Current(A)	Voltage(V)	Application group	AWG
UL	80	300	B, D	14-4
CSA	80	300	B, D, E	14-6

* UL 300V / C and 600 V / B, C, D: if mounted on a suitable insulated surface, on standoffs, or equivalent means to maintain spacing from live parts to the mounting surface.

**Version HDS is UL recognized for 65 A, 14-6 AWG

***UL recognized for multiple wiring 2 x 12 AWG solid/stranded, both 327 and 327-HDS.

Screw Tightening Torque:

UL: 16.0 lbf·in

CSA: 2.0 Nm

International Approvals:



Material

Molding: Polyamide, self extinguishing to UL 94, V-0, color off-white

Temperature limits:

Short Time: 140°C (284°F)

Continuous: RTI 105°C (221°F)

Low Limit: -40°C (-40°F)

Comparative Tracking Index: CTI > 600

Oxygen Index Rating: 33%

Terminal Body: Nickel plated copper alloy

Wire Protector: Stainless steel strip

Screw: M5, Slotted head, zinc plated blue passivated, steel substrate

Item

327 (-HDS)

Options

- CN: Consecutive Numbering (hot stamped numbers)
- SM: Special Marking (please provide sketch)
- PS: Clear Chromate Passivated, zinc plated, Steel Screws
- G05: Gold Plating (5 micro inches)
- G30: Gold Plating (30 micro inches)
- S30: Silver Plating (30 micro inches)
- WS: Wire Stop (to control the wire insertion depth)

Note: Plated component for non HDS versions only: terminal body WS is for HDS versions only

Ordering Note: Series 300 Terminal Strips can be supplied in other colors. Please consult factory.

Accessories

327

WIRE PROTECTOR:
with: - HDS

/

POLES:
01 to 12