



## Euro-Style Terminal Blocks

### TYPE 2-DIN-46284-ST (-HDS)

13 mm spacing - 2 poles

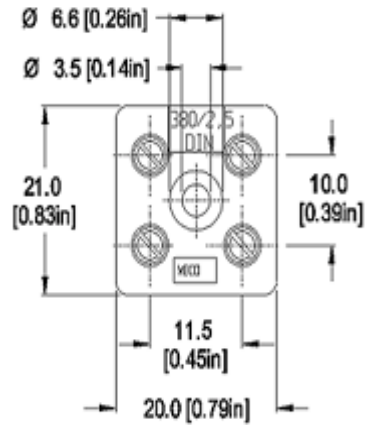
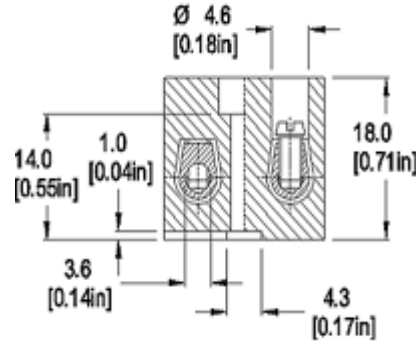
Inventory Check



2-DIN-46284-ST



RoHS WEEE Pb free compliant



Dimensions: mm (in.)

Length of Connector (L)

L = 20 (0.79) 2 pole / 34 (1.33) 3 pole

When locating connector, allow 0.5 mm clearance around it for process-induced variations.

## Description

The porcelain molding for these terminal blocks was designed to provide excellent resistance to high temperatures and the ability to allow high current voltage ratings.

The DIN-46284 standard pertains to two- and three-pole appliance terminals with 380V AC and 440V DC. They are supplied with a stainless steel wire protector to prevent damage to stranded wiring.

Recommended mounting hardware: M4 cheese head screw (#8-32 fillister head screw)

- Ceramic Terminal Block
- Medium Duty
- With Clamping Screws
- With Mounting Holes

## Approval Information

CSA File No. LR24322

## Technical Data

Center to Center Spacing: 13 mm (0.512 in.)

Nominal Cross Section:

2.5 mm<sup>2</sup> (3874 mils<sup>2</sup>)

Wire Stripping Length: 7 mm (0.28 in.)

Rating	Current(A)	Voltage(V)	Application group	AWG
UL				
CSA	20			
	300 B,C,D,E	18-12		

Screw Tightening Torque:  
4.5

International Approvals:



---

### Material

**Molding:** Glazed porcelain KER 111, DIN 40685, color white

**Temperature upper limit:** 200°C (392°F)

**Terminal Body:** Nickel plated brass

**Wire Protector:** Stainless steel

**Screw:** M3, Zinc plated blue passivated, steel substrate

---

**Item** 2-DIN-46284-ST (-HDS)

### Options

- BS: Copper Alloy Screws
- G05: Gold Plating (5 micro inches)
- G30: Gold Plating (30 micro inches)
- S30: Silver Plating (30 micro inches)

**Ordering Note:** Plated component: terminal body For 3-pole version see part #3-DIN-46284-ST

### Accessories

WIRE PROTECTOR:  
with: - HDS

2

-DIN-46284-ST



-