



## Screw Connectors for Printed Circuit Boards

### TYPE 180-A-111

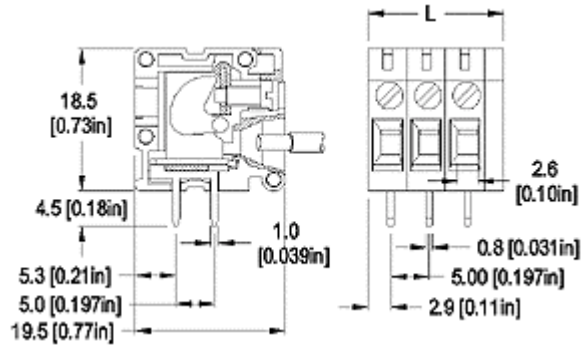
5 mm spacing - 1 to 24 poles



Distributor Stock Check



RoHS WEEE Pb free compliant



Dimensions: mm (in.)

Length of Connector (L)

$L = (\text{No. of Poles} \times \text{Center to Center Spacing}) + 2.5 \text{ mm}$

When locating connector, allow 0.5 mm clearance around it for process-induced variations.

### Description

- Horizontal version
- Wire entrance parallel to PC Board
- 2 PCB Pins per pole
- Screw and wire entrance on the same face.

### Approval Information

UL File No.E69841

CSA File No.LR24322

### Technical Data

**Center to Center Spacing:** 5 mm (0.197 in.)

**Nominal Cross Section:**

2.5 mm<sup>2</sup> (3874 mils<sup>2</sup>)

**Wire Stripping Length:** 9 mm (0.35 in.)

**Recommended Hole Diameter in PC Board:**

1.4 mm (0.055 in.)

Rating	Current(A)	Voltage(V)	Application group	AWG
UL	20	300	B	24-12
UL	10	300	D	24-12
CSA	20	300	B,D,E	26-12

### Screw Tightening Torque:

UL: 3.5 lbf·in

CSA: 0.4 Nm

**Rated Impulse Withstand Voltage:** 2500 V

### Application

Excellent for installation within an enclosure enabling access to wire entry and screw from the outside. The profile of the block makes a neat tight fit with the enclosure walls. An offset of 0.5 mm (0.02 in.) deep by 4 mm (0.16 in.) wide, above the screw entry can be mated with correctly sized opening in an enclosure. The opening can be about 14.5 mm (0.57 in.) high by the width of the terminal block, this allows access to the face of the block and its screws and wire entries.

### Material

**Molding:** Polyamide, self extinguishing UL 94, V-0, color grey

**Temperature limits:**

**Short Time:** 140°C (284°F)

**Continuous:** RTI 105°C (221°F)

**Low Limit:** -40°C (-40°F)

**Comparative Tracking Index:** CTI > 600

**Oxygen Index Rating:** 33%

**Clamp and Pressure Plate:** Zinc plated blue passivated, steel substrate  
**Internal Bus with Solder Pins:** Tin plated copper alloy  
**Screw:** M2.5, Slotted head, zinc plated blue passivated, steel substrate  
**Solder Pin:** 1.0 mm x 0.8 (0.04 in. x 0.03 in.),

---

**Item** 180-A-111

**Options**

- G05: Gold Plating (5 micro inches)
- G30: Gold Plating (30 micro inches)
- S30: Silver Plating (30 micro inches)

**Note:** Plated component: internal bus

**Accessories**

180-A-111/

POLES:  
01 to 12