



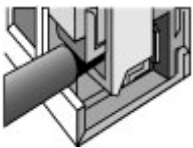
Screw Connectors for Printed Circuit Boards

**TYPE 140-E-111**

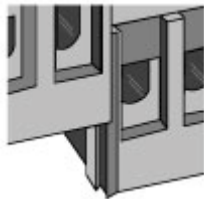
5 mm spacing - 2 to 24 poles



Distributor Stock Check



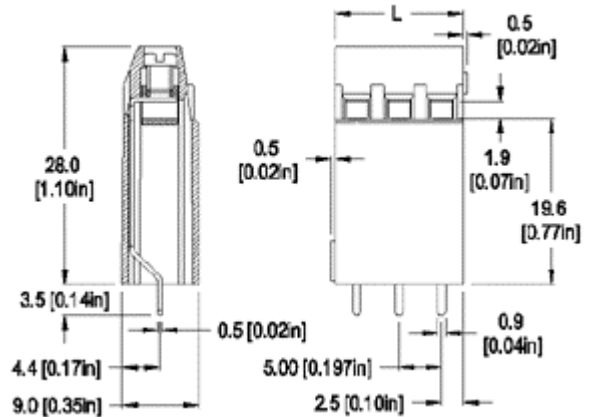
Elevator Style Clamping



Dovetail Interlocking Feature



RoHS WEEE  
Pb free compliant



Dimensions: mm (in.)

Length of Connector (L)  
L = No. of Poles x Center to Center Spacing

When locating connector, allow 0.5 mm clearance around it for process-induced variations.

**Description**

Type 140-E-111 terminal block has been specially designed to allow effective potting of PC boards. The molding design prevents seepage of the potting material into the wire clamping area up to 19 mm (0.75 in.) from the board.

- Dovetail version
- High clearance above PCB
- Wire entrance parallel to PCB Board
- Elevator-style clamping mechanism
- Can be installed anywhere on PCB without wires or screws interfering with other components.
- The 2 and 3 poles units can be factory, field or distributor assembled to almost any number of poles.

**Approval Information**

UL File No.E69841

CSA File No.LR24322

Rating	Current(A)	Voltage(V)	Application group	AWG
UL	10	300	B,C,D	30-14
CSA	15	300	B	30-14

\* UL: 20A range for factory wiring only.

**Screw Tightening Torque:**

UL: 4.5 lbf·in

CSA: 0.51 Nm

**Rated Impulse Withstand Voltage: 2500 V**

**Technical Data**

**Center to Center Spacing:** 5 mm (0.197 in.)

**Nominal Cross Section:**

1.5 mm<sup>2</sup> (2325 mils<sup>2</sup>)

**Material**

**Molding:** Polyamide, self extinguishing UL 94, V-0, color grey

**Temperature limits:**

**Wire Stripping Length:** 6 mm (0.25 in.)  
**Recommended Hole Diameter in PC Board:**  
1.2 mm (0.047 in.)

---

**Short Time:** 140°C (284°F)  
**Continuous:** RTI 105°C (221°F)  
**Low Limit:** -40°C (-40°F)  
**Comparative Tracking Index:** CTI > 600  
**Oxygen Index Rating:** 33%

**Terminal Body:** Nickel plated copper alloy  
**Solder Pin and Pressure Plate:** Tin plated copper alloy  
**Screw:** M3, Slotted head, zinc plated blue passivated, steel substrate  
**Solder Pin:** 0.9 mm x 0.5 mm (0.04 in. x 0.02 in.),

---

**Item** 140-E-111

**Options**

- CN: Consecutive Numbering (hot stamped numbers)
- SM: Special Marking (please provide sketch)
- BS: Copper Alloy Screws
- G05: Gold Plating (5 micro inches)
- G30: Gold Plating (30 micro inches)
- S30: Silver Plating (30 micro inches)

**Note:** Plated components: solder pin and pressure plate

**Ordering Note:** To order factory assembled specify the number of poles required.

**Accessories**

140-E-111/

POLES:  
02 to 24