



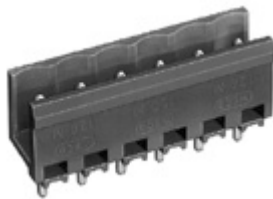
Plug-in Screw Connector System for Printed Circuit Boards



TYPE 121-M-121 /-221
0.2 in. spacing - 2 to 24 poles



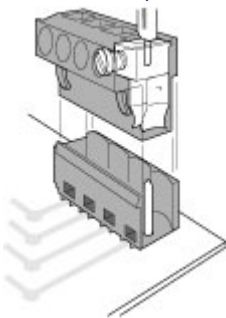
Distributor Stock Check



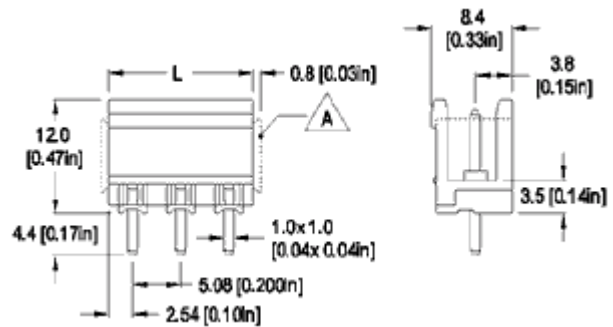
121-M-121



One possible variation of assembly



RoHS WEEE Pb free compliant



Dimensions: mm (in.)

Length of Connector (L)

L = No. of Poles x Center to Center Spacing
(A) Side walls for 121-M-221 only

When locating connector, allow 0.5 mm clearance around it for process-induced variations.

Approval Information

UL File No.E69841

CSA File No.LR24322

Rating	Current(A)	Voltage(V)	Application group	AWG
UL	15	300	B	
UL	10	300	D	
CSA	10	300	B,D,E	

International Approvals:



Rated Impulse Withstand Voltage: 2500 V

Description

- Header
- Plug-In Direction and Wire Entrance Perpendicular to PCB when plugged with 121-A-111
- Plug-In Direction Perpendicular to PCB and Wire Entrance 45° to PCB when plugged with 121-C-111
- Plug-In Direction Perpendicular to PCB and Wire Entrance Parallel to PCB when plugged with 121-

Material

Molding: Polyamide, self extinguishing UL 94, V-0, color grey

Temperature limits:

D-111, 121-D-121

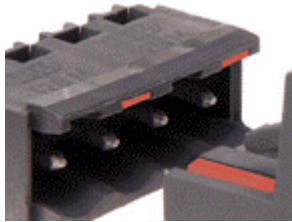
Short Time: 140°C (284°F)
Continuous: RTI 105°C (221°F)
Low Limit: -40°C (-40°F)
Comparative Tracking Index: CTI > 600
Oxygen Index Rating: 33%

Technical Data

Center to Center Spacing: 5.08 mm (0.200 in.)
Recommended Hole Diameter in PC Board:
1.4 mm (0.055 in.)

Solder Pin: 1 x 1 mm (0.04 x 0.04 in.), Tin plated copper alloy

Illustration



Coding keys 120-K are available to prevent the insertion of the wrong plug into a header. These are usually field inserted but can be factory installed if required.

Item

121-M-121 /-221

Options

- CN: Consecutive Numbering (hot stamped numbers)
- SM: Special Marking (please provide sketch)
- G05: Gold Plating (5 micro inches)
- G30: Gold Plating (30 micro inches)
- S30: Silver Plating (30 micro inches)
- 14.5MM: Solder Pin length of 14.5 mm

Note: Plated component: solder pin

Ordering Note: Voltage rating for 0.4 in. spacing is UL certified for 15A - 300 / C and for 5A - 600 / D and CSA certified for 600 / D,E (121-M-122 /-222).

Accessories

SIDEWALLS:
without: 1 with: 2

POLES:
02 to 24

121-M-

21/