



# Plug-in Screw Connector System for Printed Circuit Boards

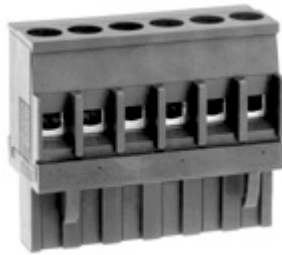


## TYPE 120-D-121

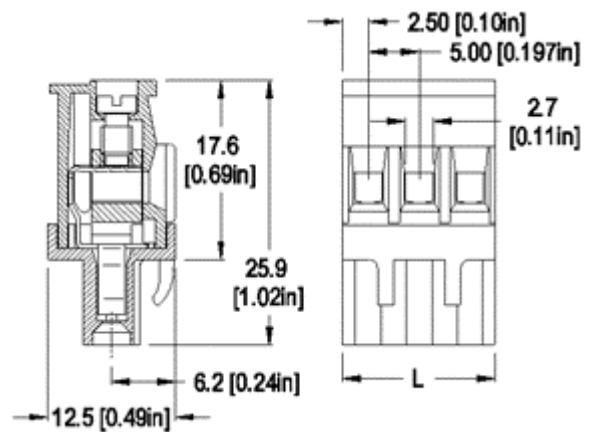
5 mm spacing - 2 to 24 poles



Distributor Stock Check



120-D-121



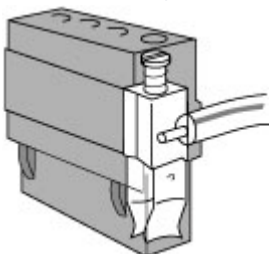
Dimensions: mm (in.)

Length of Connector (L)

L = No. of Poles x Center to Center Spacing

When locating connector, allow 0.5 mm clearance around it for process-induced variations.

One possible variation of assembly



Typical Application



RoHS WEEE Pb free compliant

### Approval Information

UL File No.E69841

CSA File No.LR24322

Rating	Current(A)	Voltage(V)	Application group	AWG
UL	15	300	B	26-12
UL	10	300	D	26-12
CSA	10	300	B,D,E	26-12

\* UL: 24-26 AWG range for factory wiring only.

### Screw Tightening Torque:

UL: 4.5 lbf·in

CSA: 0.51 Nm

### International Approvals:



Rated Impulse Withstand Voltage: 2500 V

### Description

- Plug
- Plug-In Direction Perpendicular to PCB and Wire Entrance Parallel to PCB when plugged with 120-M-121 /-221, 120-M-221-SMD, 120-M-221-THR, 120-M-161 /-261, 120-M-163 /-263, 120-M-227, 120-M-227-SMD and 120-M-191 /-291

120-M-227-SMD and 120-M-191 /-291

- Plug-In Direction Parallel to PCB and Wire Entrance Perpendicular to PCB when plugged with 120-M-181 /-281, 120-M-111 /-211
- Retention clips on same side as wire entry

### Technical Data

**Center to Center Spacing:** 5 mm (0.197 in.)

**Nominal Cross Section:**

2.5 mm<sup>2</sup> (3874 mils<sup>2</sup>)

**Wire Stripping Length:** 7 mm (0.28 in.)

### Illustration



Coding keys 120-K are available to prevent the insertion of the wrong plug into a header. These are usually field inserted but can be factory installed if required.

### Material

**Molding:** Polyamide, self extinguishing UL 94, V-0, color grey

**Temperature limits:**

**Short Time:** 140°C (284°F)

**Continuous:** RTI 105°C (221°F)

**Low Limit:** -40°C (-40°F)

**Comparative Tracking Index:** CTI > 600

**Oxygen Index Rating:** 33%

**Terminal Body:** Nickel plated copper alloy

**Wire Protector and Contact Spring:** Tin plated copper alloy

**Screw:** M3, Slotted head, zinc plated blue passivated, steel substrate

### Item

120-D-121

### Options

- CN: Consecutive Numbering (hot stamped numbers)
- SM: Special Marking (please provide sketch)
- BS: Copper Alloy Screws
- PS: Clear Chromate Passivated, zinc plated, Steel Screws
- G05: Gold Plating (5 micro inches)
- G30: Gold Plating (30 micro inches)
- S30: Silver Plating (30 micro inches)
- SRF: Strain Relief (available for 2 to 8 poles only)

**Note:** Plated component: contact spring

**Ordering Note:** Voltage rating for 10 mm spacing is UL certified for 15A - 300V / C and for 5A - 600V / D and CSA certified for 600 / D,E (120-D-122).

### Accessories

120-D-121/

POLES:  
02 to 24