



Plug-in Screw Connector System for Printed Circuit Boards

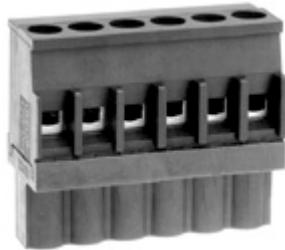


TYPE 120-D-111

5 mm spacing - 2 to 24 poles



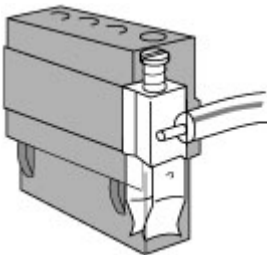
Distributor Stock Check



120-D-111



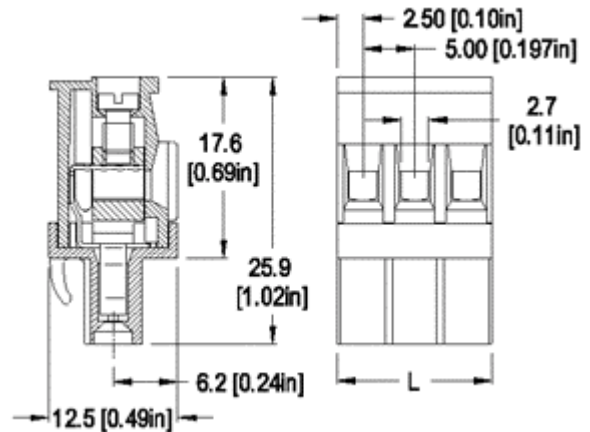
One possible variation of assembly



Typical Application



RoHS WEEE Pb free compliant



Dimensions: mm (in.)

Length of Connector (L)

L = No. of Poles x Center to Center Spacing

When locating connector, allow 0.5 mm clearance around it for process-induced variations.

Approval Information

UL File No. E69841

CSA File No. LR24322

Rating	Current(A)	Voltage(V)	Application group	AWG
UL	15	300	B	26-12
UL	10	300	D	26-12
CSA	10	300	B,D,E	26-12

* UL: 24-26 AWG range for factory wiring only.

Screw Tightening Torque:

UL: 4.5 lbf·in

CSA: 0.51 Nm

International Approvals:



Rated Impulse Withstand Voltage: 2500 V

Description

- Plug
- Plug-In Direction Perpendicular to PCB and Wire Entrance Parallel to PCB when plugged with 120-M-121 /-221, 120-M-221-SMD, 120-M-221-THR, 120-M-227, 120-M-227-SMD and 120-M-191 /-291
- Plug-In Direction Parallel to PCB and Wire

Entrance Perpendicular to PCB when plugged with 120-M-111 /-211

- Retention clips on opposite side from wire entry

Technical Data

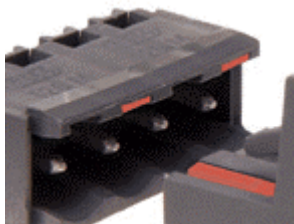
Center to Center Spacing: 5 mm (0.197 in.)

Nominal Cross Section:

2.5 mm² (3874 mils²)

Wire Stripping Length: 7 mm (0.28 in.)

Illustration



Coding keys 120-K are available to prevent the insertion of the wrong plug into a header. These are usually field inserted but can be factory installed if required.

Material

Molding: Polyamide, self extinguishing UL 94, V-0, color grey

Temperature limits:

Short Time: 140°C (284°F)

Continuous: RTI 105°C (221°F)

Low Limit: -40°C (-40°F)

Comparative Tracking Index: CTI > 600

Oxygen Index Rating: 33%

Terminal Body: Nickel plated copper alloy

Wire Protector and Contact Spring: Tin plated copper alloy

Screw: M3, Slotted head, zinc plated blue passivated, steel substrate

Item

120-D-111

Options

- CN: Consecutive Numbering (hot stamped numbers)
- SM: Special Marking (please provide sketch)
- BS: Copper Alloy Screws
- PS: Clear Chromate Passivated, zinc plated, Steel Screws
- G05: Gold Plating (5 micro inches)
- G30: Gold Plating (30 micro inches)
- S30: Silver Plating (30 micro inches)
- SRF: Strain Relief (available for 2 to 8 poles only)

Note: Plated component: contact spring

Ordering Note: Voltage rating for 10 mm spacing is UL certified for 15A - 300V / C and for 5A - 600V / D and CSA certified for 600 / D,E (120-D-112).

Accessories

120-D-111/

POLES:
02 to 24