



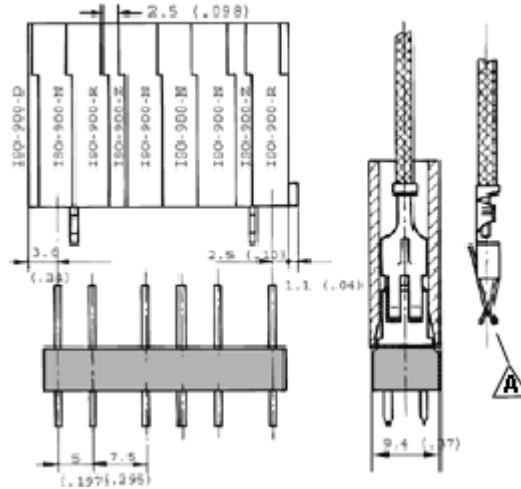
TYPE Insulation Sockets ISO-900
Inventory Check



Insulation sockets ISO 900



ISO-900 are typically used with type 900 tab connector



Dimensions: mm (in.)

(A) double spring timer contacts

When locating connector, allow 0.5 mm clearance around it for process-induced variations.

Material

Polyamide, self extinguishing to UL 94, V-2, color red

Temperature limits:

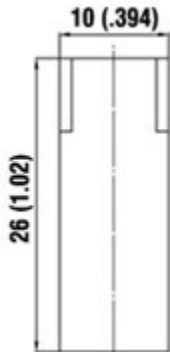
Short Time: 140°C (284°F)

Continuous: 80°C (176°F)

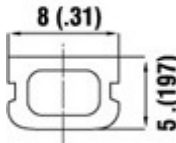
Low Limit: -40°C (-40°F)

Comparative Tracking Index: CTI > 600

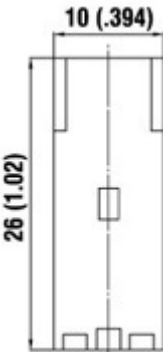
Oxygen Index Rating: 25%



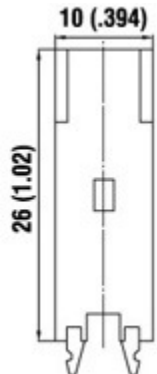
End Plate version D



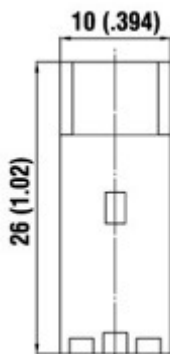
Keying Pin version K



Insulation Socket Version N



Insulation Socket with securing latches version R



Spacer version Z

Description

ISO-900 insulated sockets are supplied to provide safe and efficient connections of double spring timer contacts. Sockets slide together to provide the needed number of poles spacing between sockets is 5 mm (0.197 in.) but ISO-900-Z spacers provide 7.5 mm (0.295 in.) spacing.

The ISO-900-R socket is equipped with special dovetail prongs which slip into the empty spaces in the 900 strip and resist accidental disconnection. The ISO-900-D end plate covers the last socket in a socket assembly.

A combination of the 3 available spacings can be used to prevent a possible mismatch between the 900 block and the ISO-900 sockets. The double spring contacts click into the ISO-900 socket and indicate that a proper connection has been made. The empty chambers of the 900 terminal strip can be blocked with ISO-900-K keying pins the prongs of the ISO-900-R socket cannot be inserted when keying pins are used. This provides an even greater degree of safety.

- For series 900 tab connectors
- For insulation of double spring timer contacts

Technical Data

Center to Center Spacing: 5 mm (0.197 in.) 7.5 mm (0.295 in.)
 10 mm (0.394 in.)
 double spring timer contactscontacts minutés à double
 ressortcontatos temporizadores de lâmina duplacontactos de
 cronómetro de doble resorte

Additional information:

WECO does not produce the double spring timer contacts, however, we recommend the following suppliers: AMP: Timer Contacts 925612-2, 925613-2 Molex: Maxi-T Terminals 90021 Stocko: 6.3 mm Receptacles RFB 7979.00X

Yes it works

Item **Insulation Sockets ISO-900**

Options SM: Special Marking (please provide sketch)

Ordering Note: Accessories: BST Self Adhesive Marking Strips. Consecutively numbered. (To order BST Self Adhesive Marking Strips, please type in BST in the search engine to access the web page)

VERSION:
 end plate: D keying pin: K insulation socket: N insulation socket with securing latches: R spacer:
 Z

ISO-900-