

Screw and Tab Connectors for Printed Circuit Boards

983- (Z) S /D /W | 10.00 mm (0.394 in) Spacing - 2-26 poles

PICTURES



983-ZS



983-ZD



983-S

TECHNICAL INFORMATION

Description

Barrier strip connector



Allows two wires of the same size per contact from either direction

Block is offered with or without back barrier (see How to Order (Z) for more detail)

Technical Data**Center to Center Spacing:** 10.000 mm (0.394 in)**Nominal Cross Section:** 2.5 mm² (3875 mils²)**Wire Stripping Length:** 8.500 mm (0.335 in)**Recommended Hole Diameter in PC Board:** 1.300 mm (0.051 in)**Bill of Materials****Molding :** Polyamide, Self extinguishing UL 94, V-0**Color :** Grey**Temperature limits :****Short Time :** 140°C (284°F)**Continuous :** 105°C (221°F)**Low Limit :** -40°C (-40°F)**Comparative Tracking Index :** CTI ? 600 V**Oxygen Index Rating :** 25 %**Terminal Body:** Tin plated copper alloy**PCB Pin:** Tin plated copper alloy 0.8 x 1.0 mm (0.03 x 0.04 in.)**Screw and Washer:** Zinc plated blue passivated, steel substrate M4

APPROVAL INFORMATION

UL File No. E69841 | CSA File No. LR24322

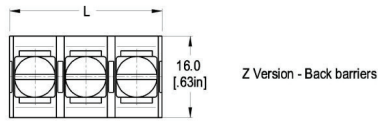
Type	Current (A)	Voltage (V)	Application Group	AWG	Screw Tightening Torque
 983- (Z) S /D /W 10.0 mm	20	300	B, C	20-12	10.0 lbfin
 983- (Z) S /D /W 10.0 mm	20 20	300 300	D, E B	20-12 20-12	1.13 lbfin 1.13 lbfin

AWG 22-18 recommend the sems slotted head in the options

International Approval Information

Rated Impulse Withstand Voltage : 6000 V

TECHNICAL DRAWING

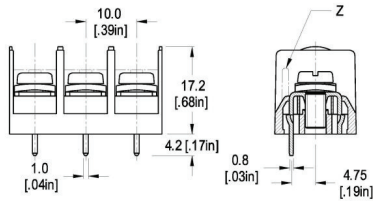


Description :

983(Z)-S

Length of Connector (L)

L = No. of Poles x Center to Center Spacing

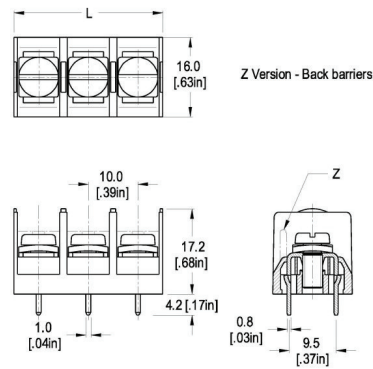


Description :

983(Z)-D

Length of Connector (L)

L = No. of Poles x Center to Center Spacing

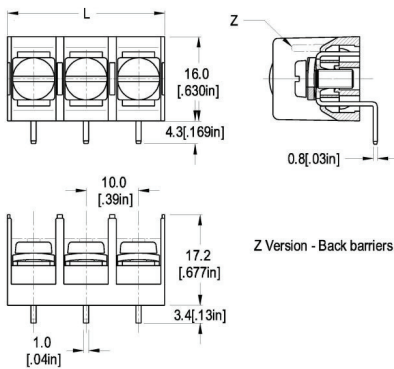


Description :

983(Z)-W

Length of Connector (L)

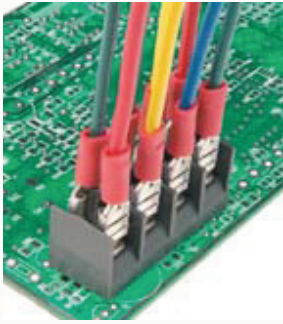
L = No. of Poles x Center to Center Spacing



SECTION A - SERIES 98**Terminal Blocks for Printed Circuit Boards**

The use of flexible polyamide in this series of barrier strips provides greater resistance to breakage than other barrier strips made from more rigid and brittle materials.

The screw and washer combinations are fixed together (SEMS type screw) to allow easier wire insertion. Screw connectors are supplied with one or two PCB pins per pole. The tab connectors provide a choice of tab and screw combinations to suit most design requirements a different tab arrangement can be supplied in each pole position for greater design flexibility. The variety of available tabs allows multiple wires to be connected to the same pole.



Each product has a "How To Order" area as well as a complete listing of UL and CSA approval specifications, available options and accessories.