



PRODUCTS COMPANY CONTACT US SUPPORT SITE MAP

PRODUCT SEARCH

978-HENO-DS/04

ARTICLE NUMBER e.g.20.874.002

PRODUCTS



CROSS-REFERENCE

Screw Connectors for Printed Circuit Boards

TYPE 978-HENO (-DS)

5 mm spacing - 2 to 12 poles



Distributor Stock Check

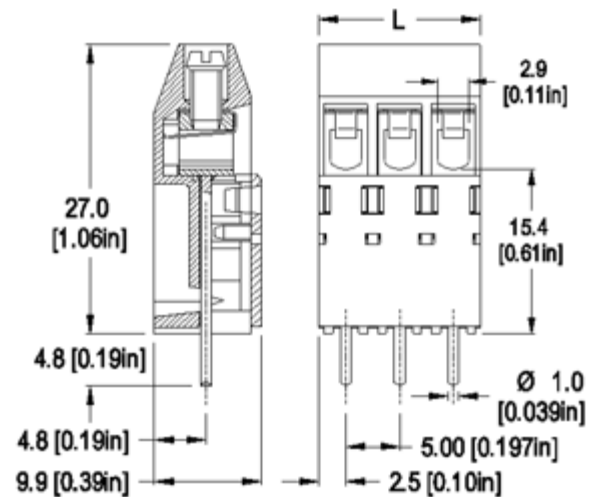
Series	Download PDF	3D Model	Can plug with	How to order	Color specifications	Print
--------	--------------	----------	---------------	--------------	----------------------	-------



Enlarged clamping area



RoHS WEEE Pb free surface compliant



Dimensions: mm (in.)

Length of Connector (L)
L = No. of Poles x Center to Center Spacing

When locating connector, allow 0.5 mm clearance around it for process-induced variations.

Description

Type 978-HENO (-DS) terminal block has been specially designed to allow effective potting of PC boards. The molding design prevents seepage of the potting material into the wire clamping area up to 14 mm (0.55 in.) from the board.

- High clearance above PCB
- Wire entrance parallel to PC Board
- Enlarged clamping area

Technical Data

Center to Center Spacing: 5 mm (0.197 in.)

Nominal Cross Section: 4 mm² (6199 mils²)

Wire Stripping Length: 6.5 mm (0.26 in.)

Approval Information

UL File No.E69841



CSA File No.LR24322



Rating	Current(A)	Voltage(V)	Application group	AWG
UL	20	300	B,D	22-12
CSA	20	300	B,D,E	22-10

* Version DS is CSA certified for 26-10 AWG.
UL: 24-26 AWG range for factory wiring only.

Screw Tightening Torque:

UL: 4.5 lbfin

CSA: 0.51 Nm

Rated Impulse Withstand Voltage: 2500 V

Recommended Hole Diameter in PC Board: 1.3 mm (0.051 in.)

Material

Molding: Polyamide, self extinguishing UL 94, V-0, color grey

Temperature limits:

Short Time: 140°C (284°F)

Continuous: RTI 105°C (221°F)

Low Limit: -40°C (-40°F)

Comparative Tracking Index: CTI ≥ 600V

Oxygen Index Rating: 32%

Terminal Body: Tin plated copper alloy

Wire Protector: Tin plated copper alloy

Screw: M3, Slotted head, zinc plated blue passivated, steel substrate

Solder Pin: Ø 1.0 mm (0.04 in.), Tin plated copper alloy

[Top of page](#)

How to order

Item — **978-HENO (-DS)**

Options

- CN: Consecutive Numbering (hot stamped numbers)
- SM: Special Marking (please provide sketch)
- PS: Zinc plated clear Passivated, steel substrate
- WG: Wire Guide
- G05: Gold Plating (5 micro inches)
- G30: Gold Plating (30 micro inches)
- S30: Silver Plating (30 micro inches)
- XXMM: Longer solder Pins up to 61 mm (2.4 in.)
 Protruding length of pins, in millimeters:
- BS: Copper Alloy Screw

- Request sample**
- Request quote**

Quantity

Accessories

- [BST Self Adhesive Marking Strips. Consecutively numbered. Jumper, Type 970-J1.](#)
- [Jumper, Type 970-J2.](#)

Note: Plated component: terminal body

978-HENO WIRE PROTECTOR: with: - DS / POLES: 02 to 12

Add to shopping cart