



PRODUCT SEARCH

974-DS/14-CN

e.g.20.874.002

PRODUCTS COMPANY CONTACT US SUPPORT SITE MAP

PRODUCTS



CROSS-REFERENCE

## Screw Connectors for Printed Circuit Boards

### TYPE 974 (-DS)

5 mm spacing - 2 to 26 poles

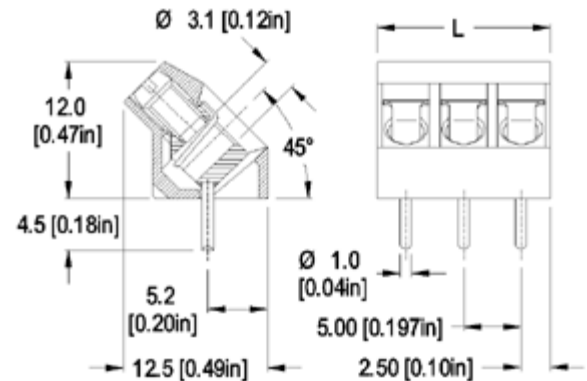


Distributor Stock Check

Series	Download PDF	3D Model	Can plug with	How to order	Color specifications	Print
--------	--------------	----------	---------------	--------------	----------------------	-------



RoHS WEEE Pb free surface compliant



Dimensions: mm (in.)

Length of Connector (L)

L = No. of Poles x Center to Center Spacing

**When locating connector, allow 0.5 mm clearance around it for process-induced variations.**

### Description

Can be installed anywhere on PCB without wires or screws interfering with the rest of PCB. Can be located next to each other back-to-back, front-to-front and front-to-back. The screws and wire entries are easily visible, accessible and usable, an ergonomic advantage.

- Solid version
- Wire entrance at 45° angle to PC Board
- End-to-end stackable while maintaining the 5 mm spacing.

### Technical Data

**Center to Center Spacing:** 5 mm (0.197 in.)

**Nominal Cross Section:** 2.5 mm<sup>2</sup> (3874 mils<sup>2</sup>)

**Wire Stripping Length:** 6.5 mm (0.26 in.)

**Recommended Hole Diameter in PC Board:** 1.3 mm (0.051 in.)

### Approval Information

UL File No.E69841

CSA File No.LR24322

Rating	Current(A)	Voltage(V)	Application group	AWG
UL	20	300	B,D	26-12
CSA	15	300	B,D,E	22-10

\* Version DS is CSA certified for 26-10 AWG.  
UL: 24-26 AWG range for factory wiring only.

### Screw Tightening Torque:

UL: 4.5 lbf·in

CSA: 0.51 Nm

### International Approvals:



**Rated Impulse Withstand Voltage:** 2500 V

**Material**

**Version:** 2 to 8 poles  
**Molding:** Polyamide, self extinguishing UL 94, V-0, color grey  
**Temperature limits:**  
**Short Time:** 140°C (284°F)  
**Continuous:** RTI 105°C (221°F)  
**Low Limit:** -40°C (-40°F)  
**Comparative Tracking Index:** CTI ≥ 600V  
**Oxygen Index Rating:** 32%

**Version:** 9 to 26 poles  
**Molding:** Polyamide (glass fiber reinforced), self extinguishing UL 94, V-0, color grey  
**Temperature limits:**  
**Short Time:** 200°C (392°F)  
**Continuous:** RTI 105°C (221°F)  
**Low Limit:** -40°C (-40°F)  
**Comparative Tracking Index:** CTI > 175  
**Oxygen Index Rating:** 33%

**Terminal Body:** Tin plated copper alloy  
**Wire Protector:** Tin plated copper alloy  
**Screw:** M3, Slotted head, zinc plated clear passivated, steel substrate  
**Solder Pin:** Ø 1.0 mm (0.04 in.), Tin plated copper alloy

Top of page

**How to order**

**Item** — 974 (-DS)

- Options**
- CN: Consecutive Numbering (hot stamped numbers)
  - SM: Special Marking (please provide sketch)
  - G05: Gold Plating (5 micro inches)
  - G30: Gold Plating (30 micro inches)
  - S30: Silver Plating (30 micro inches)
  - XXMM: Longer solder Pins up to 75 mm (3 in.)
- Protruding length of pins, in millimeters:

- Request sample**
- Request quote**

Quantity

**Accessories**

- [BST Self Adhesive Marking Strips. Consecutively numbered.](#)
- [Jumper, Type 970-J1.](#)
- [Jumper, Type 970-J2.](#)

**Note:** Plated component: terminal body

**Ordering Note:** Version with 10 mm spacing (975 (-DS)).

974 / WIRE PROTECTOR: with: - DS / POLES: 02 to 26

Add to shopping cart