



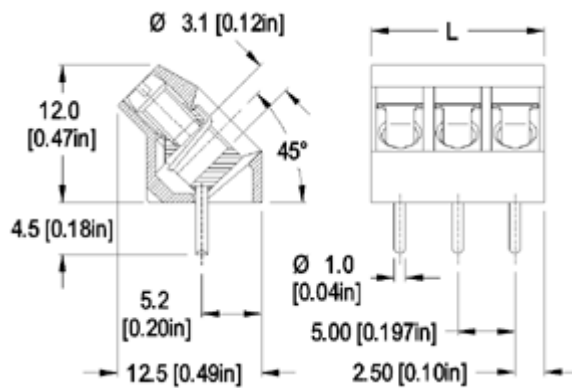
Catalog Product Number: 974-DS/14-20MM

Screw Connectors for Printed Circuit Boards

**Type 974 (-DS)
5 mm spacing - 2 to 26 poles**



RoHS WEEE Pb free surface compliant



Dimensions: mm (in.)

Length of Connector (L)

L = No. of Poles x Center to Center Spacing

When locating connector, allow 0.5 mm clearance around it for process-induced variations.

Description:

Can be installed anywhere on PCB without wires or screws interfering with the rest of PCB. Can be located next to each other back-to-back, front-to-front and front-to-back. The screws and wire entries are easily visible, accessible and usable, an ergonomic advantage.

- Solid version
- Wire entrance at 45° angle to PC Board
- End-to-end stackable while maintaining the 5 mm spacing.

Technical Data:

Center to Center Spacing: 5 mm (0.197 in.)
Nominal Cross Section: 2.5 mm² (3874 mils²)
Wire Stripping Length: 6.5 mm (0.26 in.)
Recommended Hole Diameter in PC Board: 1.3 mm (0.051 in.)

Material:

Version: 2 to 8 poles
Molding: Polyamide, self extinguishing UL 94, V-0, color grey
Temperature limits:
Short Time: 140°C (284°F)
Continuous: RTI 105°C (221°F)
Low Limit: -40°C (-40°F)
Comparative Tracking Index: CTI = 600 V
Oxygen Index Rating: 32%

Version: 9 to 26 poles
Molding: Polyamide (glass fiber reinforced), self extinguishing UL 94, V-0, color grey
Temperature limits:
Short Time: 200°C (392°F)
Continuous: RTI 105°C (221°F)
Low Limit: -40°C (-40°F)
Comparative Tracking Index: CTI > 175
Oxygen Index Rating: 33%

Terminal Body: Tin plated copper alloy
Wire Protector: Tin plated copper alloy
Screw: M3, Slotted head, zinc plated clear passivated, steel substrate
Solder Pin: Ø 1.0 mm (0.04 in.), Tin plated copper alloy