



PRODUCT SEARCH

974-DS/08

Re.g.20.874.002

PRODUCTS COMPANY CONTACT US SUPPORT SITE MAP

PRODUCTS

Competitor Cross-Reference



CROSS-REFERENCE

Technical and Photo Search

Screw Connectors for Printed Circuit Boards

TYPE 974 (-DS)
5 mm spacing - 2 to 26 poles



Distributor Stock Check

Request Documentation

Request a Sample

Request a Quote

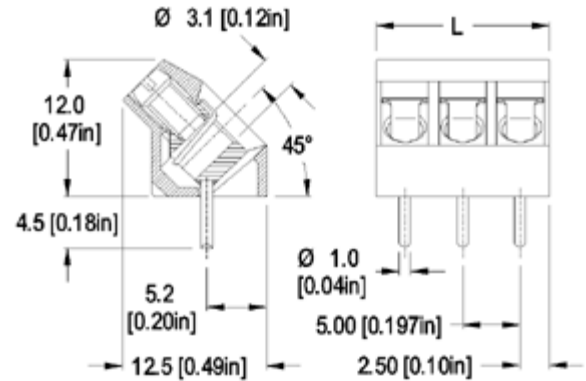
Visual Plug-In Guide

Distributor Stock Check

Series	Download PDF	3D Model	Can plug with	How to order	Color specifications	Print
--------	--------------	----------	---------------	--------------	----------------------	-------



RoHS WEEE Pb free surface compliant



Dimensions: mm (in.)

Length of Connector (L)

L = No. of Poles x Center to Center Spacing

When locating connector, allow 0.5 mm clearance around it for process-induced variations.

Description

Can be installed anywhere on PCB without wires or screws interfering with the rest of PCB. Can be located next to each other back-to-back, front-to-front and front-to-back. The screws and wire entries are easily visible, accessible and usable, an ergonomic advantage.

- Solid version
- Wire entrance at 45° angle to PC Board
- End-to-end stackable while maintaining the 5 mm spacing.

Technical Data

Center to Center Spacing: 5 mm (0.197 in.)
Nominal Cross Section: 2.5 mm² (3874 mils²)
Wire Stripping Length: 6.5 mm (0.26 in.)
Recommended Hole Diameter in PC Board: 1.3 mm (0.051 in.)

Approval Information

UL File No.E69841

CSA File No.LR24322

Rating	Current(A)	Voltage(V)	Application group	AWG
UL	20	300	B,D	26-12
CSA	15	300	B,D,E	22-10

* Version DS is CSA certified for 26-10 AWG.
 UL: 24-26 AWG range for factory wiring only.

Screw Tightening Torque:

UL: 4.5 lbf·in

CSA: 0.51 Nm

International Approvals:



Rated Impulse Withstand Voltage: 2500 V

Material

Version: 2 to 8 poles
Molding: Polyamide, self extinguishing UL 94, V-0, color grey
Temperature limits:
Short Time: 140°C (284°F)
Continuous: RTI 105°C (221°F)
Low Limit: -40°C (-40°F)
Comparative Tracking Index: CTI ≥ 600V
Oxygen Index Rating: 32%

Version: 9 to 26 poles
Molding: Polyamide (glass fiber reinforced), self extinguishing UL 94, V-0, color grey
Temperature limits:
Short Time: 200°C (392°F)
Continuous: RTI 105°C (221°F)
Low Limit: -40°C (-40°F)
Comparative Tracking Index: CTI > 175
Oxygen Index Rating: 33%

Terminal Body: Tin plated copper alloy
Wire Protector: Tin plated copper alloy
Screw: M3, Slotted head, zinc plated clear passivated, steel substrate
Solder Pin: Ø 1.0 mm (0.04 in.), Tin plated copper alloy

 [Top of page](#)

How to order

Item — 974 (-DS)

- Options**
- CN: Consecutive Numbering (hot stamped numbers)
 - SM: Special Marking (please provide sketch)
 - G05: Gold Plating (5 micro inches)
 - G30: Gold Plating (30 micro inches)
 - S30: Silver Plating (30 micro inches)
 - XXMM: Longer solder Pins up to 75 mm (3 in.)
- Protruding length of pins, in millimeters:

- Request sample**
- Request quote**

Quantity

Accessories

- [BST Self Adhesive Marking Strips. Consecutively numbered.](#)
- [Jumper, Type 970-J1.](#)
- [Jumper, Type 970-J2.](#)

Note: Plated component: terminal body

Ordering Note: Version with 10 mm spacing (975 (-DS)).

974 / WIRE PROTECTOR: with: - DS / POLES: 02 to 26

[Add to shopping cart](#)