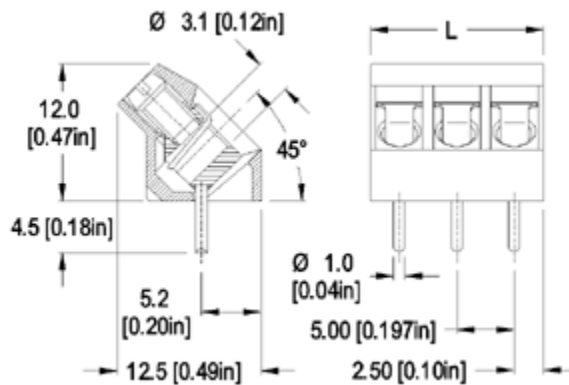




**Product Number:** 974-DS/06-CN-50.8MM  
**Screw Connectors for Printed Circuit Boards**  
**Type 974 (-DS)**  
**5 mm spacing – 2 to 26 poles**



**Dimensions: mm (in.)**

Length of Connector (L)  
L = No. of Poles x Center to Center Spacing

**When locating connector, allow 0.5 mm clearance around it for process-induced variations.**

### **Description:**

Can be installed anywhere on PCB without wires or screws interfering with the rest of PCB. Can be located next to each other back-to-back, front-to-front and front-to-back. The screws and wire entries are easily visible, accessible and usable, an ergonomic advantage.

- Solid version
- Wire entrance at 45° angle to PC Board.
- End-to-end stackable while maintaining the 5 mm spacing.

### **Technical Data:**

**Center to Center Spacing:** 5 mm (0.197 in.)

**Nominal Cross Section:** 2.5 mm<sup>2</sup> (3874 mils<sup>2</sup>)

**Wire Stripping Length:** 6.5 mm (0.26 in.)

**Recommended Hole Diameter in PC Board:** 1.3 mm (0.051 in.)

### **Material:**

**Version:** 2 to 8 poles

**Molding:** Polyamide, self extinguishing UL 94, V-0, color grey

**Temperature limits:**

**Short Time:** 140°C (284°F)

**Continuous:** RTI 105°C (221°F)

**Low Limit:** -40°C (-40°F)

**Comparative Tracking Index:** CTI = 600 V

**Oxygen Index Rating:** 32%

**Version:** 9 to 26 poles

**Molding:** Polyamide (glass fiber reinforced), self extinguishing UL 94, V-0, color grey

**Temperature limits:**

**Short Time:** 200°C (392°F)

**Continuous:** RTI 105°C (221°F)

**Low Limit:** -40°C (-40°F)

**Comparative Tracking Index:** CTI > 175

**Oxygen Index Rating:** 33%

**Terminal Body:** Tin plated copper alloy

**Wire Protector:** Tin plated copper alloy

**Screw:** M3, Slotted head, zinc plated clear passivated, steel substrate

**Solder Pin:** Ø 1.0 mm (0.04 in.), Tin plated copper alloy