



Plug-in Screw Connector System for Printed Circuit Boards

TYPE 971-SLK /-SLS /-SLW
 5 mm spacing - 2 to 64 poles



Distributor Stock Check



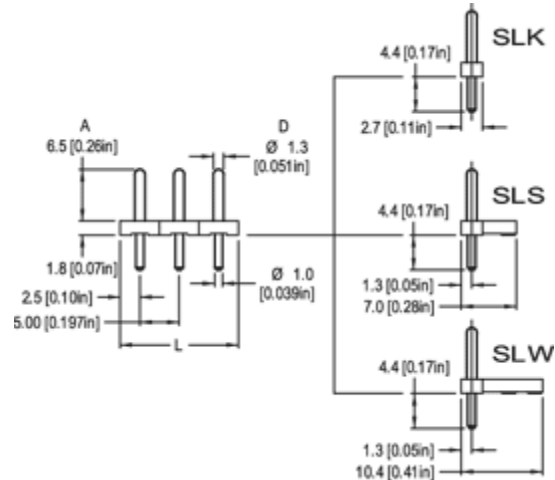
971-SLK, 971-SLS, 971-SLW



One possible variation of assembly



RoHS WEEE Pb free surface compliant



Dimensions: mm (in.)

Length of Pinstrip (L)

L = No. of Poles x Center to Center Spacing

Other options:

In Ø1.10 mm diameter (D), the following protruding lengths (A) are available: 7.8, 10.3, 11.0, 11.7, 11.9, 12.5, 14.2, 14.7 and 15.7 mm.
 In Ø1.15 mm diameter (D), the following protruding lengths (A) are available: 6.5 and 14.7 mm.
 In Ø1.30 mm diameter (D), the following protruding lengths (A) are available: 6.5, 7.2, 7.7, 7.8, 8.5, 10.5, 11.0, 16.5, 19.8, 21.5, 22.0 and 29.0 mm.

When locating connector, allow 0.5 mm clearance around it for process-induced variations.

Description

- Pinstrip
- Plug-In Direction and Wire Entrance Perpendicular to PCB when plugged with 971-FBS (-DS)
- Plug-In Direction Perpendicular to PCB and Wire Entrance Parallel to PCB when plugged with 950-FL-DS, 950-T-FL-DS, 950-NAF-DS, 950-GFL-DS, 950-NLFL-DS, 950-RNF-DS, 970-FBW (-DS), 115-F-111, 115-F-118 and 115-F-211

Technical Data

Center to Center Spacing: 5 mm (0.197 in.)

Recommended Hole Diameter in PC Board:

1.3 mm (0.051 in.) for 1.0 mm (0.039 in.) pin (standard) 1.4 mm (0.055 in.) for 1.1 mm (0.043 in.) pin (limited options) 1.6 mm (0.063 in.) for 1.3 mm (0.051 in.) pin (limited options)

Application

WECO offers a variety of pin lengths and pin diameters. In order to order these special pins, please refer to the special pin page found in the ordering box.

Approval Information

UL File No.E69841



CSA File No.LR24322



Rating	Current(A)	Voltage(V)	Application group	AWG
UL	10	300	B	
CSA	10	300	B,D,E	

Material

Molding: PBT GF (glass fiber reinforced), self extinguishing UL 94, V-0, color black

Temperature limits:

Short Time: 200°C (392°F)

Continuous: RTI 105°C (221°F)

Low Limit: -40°C (-40°F)

Comparative Tracking Index: CTI > 175

Oxygen Index Rating: 32%

Solder Pin: PCB end: Ø 1 mm (0.039 in.) or Ø1.1 (0.043 in.), plug-in end: Ø1.1 mm (0.043 in.), Ø 1.15 (0.045 in.) and Ø 1.3 mm (0.051 in.), Tin plated copper alloy

Item

971-SLK /-SLS /-SLW

Options

- G05: Gold Plating (5 micro inches)
- G30: Gold Plating (30 micro inches)
- S30: Silver Plating (30 micro inches)

Note: Plated component: solder pin

Ordering Note: To order alternate pin lengths and diameters please download the PDF file above. Version with 10 mm spacing (973-SLK /-SLS /-SLW).

Accessories

	BASE WIDTH:		POLES:
971-SL	2.7 mm: <u>K</u> 7 mm: <u>S</u> 10.4 mm: <u>W</u>	/	<u>02 to 64</u>