

Product Number: **971-KS/05**

Plug-in Screw Connector System for Printed Circuit Boards

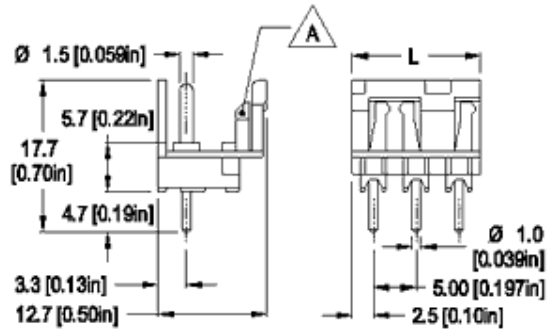
Type: 971-KS
5 mm Spacing – 2 – 12 poles



971-KS



One possible variation of assembly



Dimensions: mm (in.)

Length of Connector (L)

L = No. of Poles x Center to Center Spacing

(A) Interlocking latch

Description:

These headers are designed to provide a secure interlocking mechanism when an application will be encountering severe vibrations. The header can also be used with the type 971-FBS (-DS) when interlocking and keying features are not required.

- Header
- Plug-In Direction and Wire Entrance Perpendicular to PCB when plugged with 971-KRFBS (-DS), 971-FBS (-DS)
- End-to-end stackable while maintaining the 5 mm spacing.

Technical Data:

Center to Center Spacing: 5 mm (0.197 in.)
 Recommended Hole Diameter in PC Board: 1.3 mm (0.051 in.)
 Contact Resistance: Typically 1 m ohm