



Plug-in Screw Connector System for Printed Circuit Boards

TYPE 971-KS

5 mm spacing - 2 to 12 poles



Distributor Stock Check



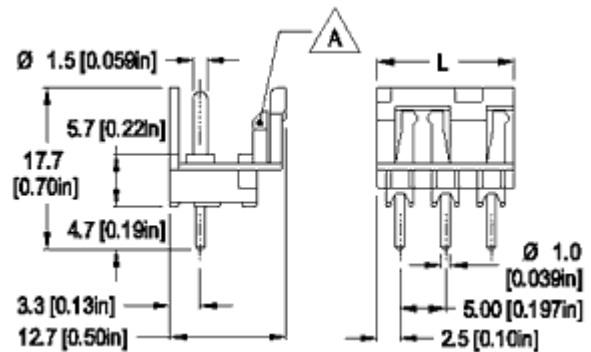
971-KS



One possible variation of assembly



RoHS WEEE Pb free surface compliant



Dimensions: mm (in.)

Length of Connector (L)

L = No. of Poles x Center to Center Spacing

(A) Interlocking latch

When locating connector, allow 0.5 mm clearance around it for process-induced variations.

Approval Information

UL File No.E69841

CSA File No.LR24322

Rating	Current(A)	Voltage(V)	Application group	AWG
UL	20	300	B,D	
CSA	10	300	B,D,E	

International Approvals:



Description

These headers are designed to provide a secure interlocking mechanism when an application will be encountering severe vibrations. The header can also be used with the type 971-FBS (-DS) when interlocking and keying features are not required.

- Header
- Plug-In Direction and Wire Entrance Perpendicular to PCB when plugged with 971-KRFBFS (-DS), 971-FBS (-DS)
- End-to-end stackable while maintaining the 5 mm spacing.

Technical Data

Center to Center Spacing: 5 mm (0.197 in.)
Recommended Hole Diameter in PC Board: 1.3 mm (0.051 in.)
Contact Resistance: typically 1m ohm

Material

Molding: Polyamide, UL 94, V-2, color grey

Temperature limits:

Short Time: 140°C (284°F)

Continuous: RTI 105°C (221°F)

Low Limit: -40°C (-40°F)

Comparative Tracking Index: CTI > 175

Oxygen Index Rating: 25%

Solder Pin: Ø 1 mm (0.04 in.), Tin plated copper alloy

.....

Item **971-KS**

Options

- S30: Silver Plating (30 micro inches)
- CN: Consecutive Numbering (hot stamped numbers)
- SM: Special Marking (please provide sketch)
- G05: Gold Plating (5 micro inches)
- G30: Gold Plating (30 micro inches)

Note: Plated component: solder pin

Accessories

POLES:
02 to 12

971-KS/
