



**Plug-in Screw Connector System for Printed Circuit Boards**

**TYPE 971-FBWP**

5 mm spacing - 2 to 12 poles



Distributor Stock Check



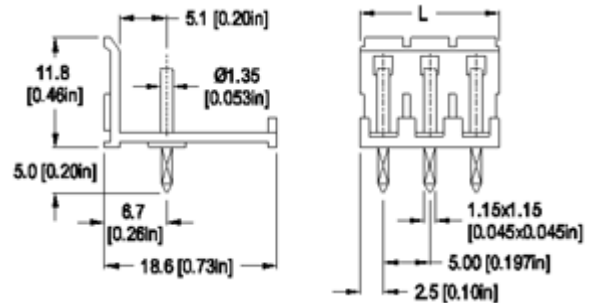
971-FBWP



One possible variation of assembly



RoHS WEEE Pb free surface compliant



Dimensions: mm (in.)

Length of Connector (L)

L = No. of Poles x Center to Center Spacing

When locating connector, allow 0.5 mm clearance around it for process-induced variations.

**Approval Information**

UL File No.E69841



CSA File No.LR24322

Rating	Current(A)	Voltage(V)	Application group	AWG
UL	20	300	B,D	
CSA	10	300	B,D,E	

**Description**

Type 971-FBWP header feature a more secure and reliable connection by means of interlocking tabs. This product is recommended for applications which require additional plug to header retention, or in high vibration areas.

- Header
- Plug-In Direction Perpendicular to PCB and Wire Entrance Parallel to PCB when plugged with 970-NFBW (-DS)
- End-to-end stackable while maintaining the 5 mm spacing.

**Technical Data**

**Center to Center Spacing:** 5 mm (0.197 in.)

**Recommended Hole Diameter in PC Board:**

1.5 mm (0.059 in.)

**Material**

**Molding:** Polyamide, UL 94, V-2, color grey

**Temperature limits:**

**Short Time:** 140°C (284°F)

**Continuous:** RTI 105°C (221°F)

**Low Limit:** -40°C (-40°F)

**Comparative Tracking Index:** CTI > 175

**Oxygen Index Rating:** 25%

**Solder Pin:** Pin diameter on plug-in side: 1.3 mm (0.051 in.), Tin plated copper alloy

**Item** 971-FBWP

**Options**

CN: Consecutive Numbering (hot stamped numbers)

- SM: Special Marking (please provide sketch)
- G05: Gold Plating (5 micro inches)
- G30: Gold Plating (30 micro inches)
- S30: Silver Plating (30 micro inches)

**Note:** Plated component: solder pin

**Accessories**

**971-FBWP/**

POLES:  
02 to 12