

Plug-in Screw Connector System for Printed Circuit Boards

TYPE 971-FBS (-DS)

5 mm spacing - 2 to 24 poles

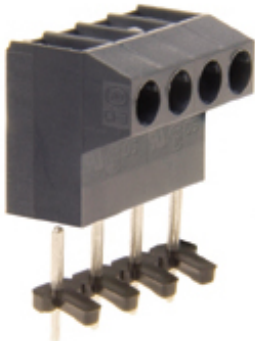


[Distributor Stock Check](#)

Series	Download PDF	3D Model	Can plug with	How to order	Color specifications	Print
--------	--------------	----------	---------------	--------------	----------------------	-------



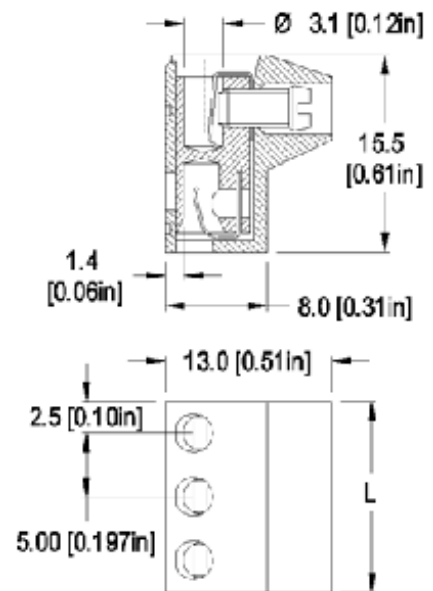
971-FBS (-DS)



One possible variation of assembly



RoHS WEEE Pb free compliant



Dimensions: mm (in.)

Length of Connector (L)

L = No. of Poles x Center to Center Spacing

When locating connector, allow 0.5 mm clearance around it for process-induced variations.

Description

- Plug
- Plug-In Direction and Wire Entrance Parallel to PCB when plugged with **950-SVG (-DS)**, **951-B-SV (-DS)**
- Plug-In Direction and Wire Entrance Perpendicular to PCB when plugged with **971-FBSP**, **971-SLK /-SLS /-SLW**
- End-to-end stackable while maintaining the 5 mm spacing.

Technical Data

Approval Information

UL File No.E69841
 CSA File No.LR24322

Center to Center Spacing: 5 mm (0.197 in.)

Nominal Cross Section:

2.5 mm² (3874 mils²)

Wire Stripping Length: 6.5 mm (0.26 in.)

Rating	Current(A)	Voltage(V)	Application group	AWG
UL	10	300	B,D	22-14
CSA	15	300	B,D,E	22-10

* Version DS is CSA certified for 26-14 AWG.
UL: 24-26 AWG range for factory wiring only.

Screw Tightening Torque:

UL: 4.5 lbin

CSA: 0.51 Nm

International Approvals:



Rated Impulse Withstand Voltage: 2500 V

Material

Version: 2 to 12 poles

Molding: Polyamide, self extinguishing UL 94, V-0, color grey

Temperature limits:

Short Time: 140°C (284°F)

Continuous: RTI 105°C (221°F)

Low Limit: -40°C (-40°F)

Comparative Tracking Index: CTI > 600

Oxygen Index Rating: 32%

Version: 13 to 24 poles

Molding: Polyamide (glass fiber reinforced), self extinguishing UL 94, V-0, color grey

Temperature limits:

Short Time: 200°C (392°F)

Continuous: RTI 105°C (221°F)

Low Limit: -40°C (-40°F)

Comparative Tracking Index: CTI > 175

Oxygen Index Rating: 33%

Terminal Body: Tin plated copper alloy

Wire Protector: Tin plated copper alloy

Spring Clip: Stainless steel strip

Screw: M3, Slotted head, zinc plated blue passivated, steel substrate

 [Top of page](#)

How to order

Item 971-FBS (-DS)

Options

CN: Consecutive Numbering (hot stamped numbers)

SM: Special Marking (please provide sketch)

PS: Clear Chromate Passivated, zinc plated, Steel Screws

WG: Wire Guide

G05: Gold Plating (5 micro inches)

G30: Gold Plating (30 micro inches)

S30: Silver Plating (30 micro inches)

Note: Plated component: terminal body

Request sample

Request quote

Quantity

Accessories

[BST Self Adhesive Marking Strips.](#)

[Consecutively numbered.](#)

[Jumper, Type 970-J1.](#)

[Jumper, Type 970-J2.](#)

[LST Single Pins.](#)

WIRE PROTECTOR:
with: - DS

POLES:
02 to 24

971-FBS

/

Add to shopping cart