



Screw Connectors for Printed Circuit Boards

TYPE 970 (-DS)

5 mm spacing - 2 to 32 poles



Distributor Stock Check



RoHS WEEE Pb free surface compliant

Description

- Solid version
- Wire entrance parallel to PC Board

Technical Data

Center to Center Spacing: 5 mm (0.197 in.)

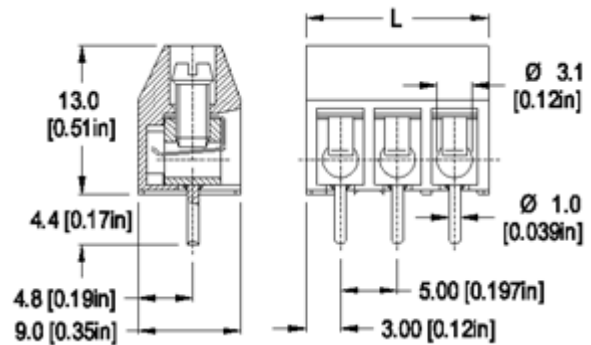
Nominal Cross Section:

2.5 mm² (3874 mils²)

Wire Stripping Length: 6.5 mm (0.26 in.)

Recommended Hole Diameter in PC Board:

1.3 mm (0.051 in.)



Dimensions: mm (in.)

Length of Connector (L)

L = No. of Poles x Center to Center Spacing + 1 mm

When locating connector, allow 0.5 mm clearance around it for process-induced variations.

Approval Information

UL File No.E69841



CSA File No.LR24322

Rating	Current(A)	Voltage(V)	Application group	AWG
UL	20	300	B	22-12
UL	10	300	D	22-12
CSA	15	300	B,D,E	22-10

* Version DS is CSA certified for 26-10 AWG.
UL: 24-26 AWG range for factory wiring only.

Screw Tightening Torque:

UL: 4.5 lbf·in

CSA: 0.51 Nm

International Approvals:



Rated Impulse Withstand Voltage: 2500 V

Material

Version: 2 to 8 poles

Molding: Polyamide, self extinguishing UL 94, V-0, color grey

Temperature limits:

Short Time: 140°C (284°F)

Continuous: RTI 105°C (221°F)

Low Limit: -40°C (-40°F)

Comparative Tracking Index: CTI > 600

Oxygen Index Rating: 32%

Version: 9 to 32 poles

Molding: Polyamide (glass fiber reinforced), self extinguishing UL 94, V-0, color grey

Temperature limits:
Short Time: 200°C (392°F)
Continuous: RTI 105°C (221°F)
Low Limit: -40°C (-40°F)
Comparative Tracking Index: CTI > 175
Oxygen Index Rating: 33%

Terminal Body: Tin plated copper alloy
Wire Protector: Tin plated copper alloy
Screw: M3, Slotted head, zinc plated blue passivated, steel substrate
Solder Pin: Ø 1.0 mm (0.04 in.), Tin plated copper alloy

Item

970 (-DS)

Options

- CN: Consecutive Numbering (hot stamped numbers)
 - SM: Special Marking (please provide sketch)
 - PS: Clear Chromate Passivated, zinc plated, Steel Screws
 - WG: Wire Guide
 - G05: Gold Plating (5 micro inches)
 - G30: Gold Plating (30 micro inches)
 - S30: Silver Plating (30 micro inches)
 - XXMM: Longer solder Pins up to 75 mm (3 in.)
- Protruding length of pins, in millimeters:
- BS: Copper Alloy Screw

Note: Plated component: terminal body

Ordering Note: Version with 10 mm spacing (972 (-DS)).

Accessories

970

WIRE PROTECTOR:
with: - DS

/

POLES:
02 to 32