



PRODUCT SEARCH

970-T/10

Re.g.20.874.002

PRODUCTS

COMPANY

CONTACT US

SUPPORT

SITE MAP

PRODUCTS



CROSS-REFERENCE

## Screw Connectors for Printed Circuit Boards

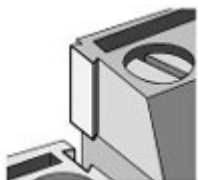
### TYPE 970-T (-DS)

5 mm spacing - 2 and 3 poles



Distributor Stock Check

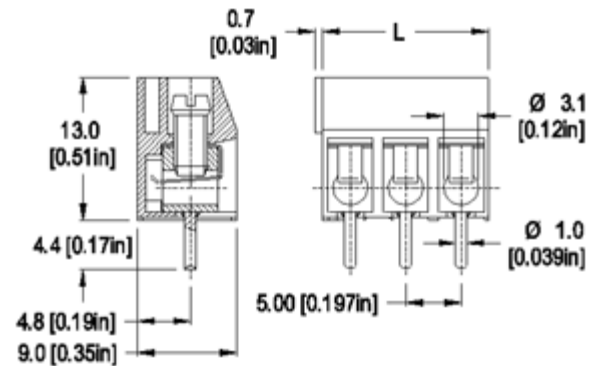
Series	Download PDF	3D Model	Can plug with	How to order	Color specifications	Print
--------	--------------	----------	---------------	--------------	----------------------	-------



Dovetail Interlocking Feature



RoHS WEEE Pb free surface compliant



Dimensions: mm (in.)

Length of Connector (L)

L = No. of Poles x Center to Center Spacing

When locating connector, allow 0.5 mm clearance around it for process-induced variations.

### Description

- Dovetail version
- Wire entrance parallel to PC Board
- Can be factory, field or distributor assembled to almost any length

### Technical Data

**Center to Center Spacing:** 5 mm (0.197 in.)

**Nominal Cross Section:** 2.5 mm<sup>2</sup> (3874 mils<sup>2</sup>)

**Wire Stripping Length:** 6.5 mm (0.26 in.)

**Recommended Hole Diameter in PC Board:** 1.3 mm (0.051 in.)

### Approval Information

UL File No.E69841

CSA File No.LR24322

Rating	Current(A)	Voltage(V)	Application group	AWG
UL	20	300	B,D	26-12
CSA	15	300	B,D,E	22-10

\* Version DS is CSA certified for 26-10 AWG.  
UL: 24-26 AWG range for factory wiring only.

### Screw Tightening Torque:

UL: 4.5 lbf·in

CSA: 0.51 Nm

### International Approvals:



**Rated Impulse Withstand Voltage:** 2500 V

**Material**

**Molding:** Polyamide, self extinguishing UL 94, V-0, color grey

**Temperature limits:**

**Short Time:** 140°C (284°F)

**Continuous:** RTI 105°C (221°F)

**Low Limit:** -40°C (-40°F)

**Comparative Tracking Index:** CTI ≥ 600V

**Oxygen Index Rating:** 32%

**Screw:** M3, Slotted head, zinc plated blue passivated, steel substrate

**Terminal Body:** Tin plated copper alloy

**Wire Protector:** Tin plated copper alloy

**Solder Pin:** Ø 1.0 mm (0.04 in.), Tin plated copper alloy

▲  
Top of page

**How to order**

**Item** — 970-T (-DS)

**Options**

- CN: Consecutive Numbering (hot stamped numbers)
- SM: Special Marking (please provide sketch)
- PS: Zinc plated clear Passivated, steel substrate
- WG: Wire Guide
- G05: Gold Plating (5 micro inches)
- G30: Gold Plating (30 micro inches)
- S30: Silver Plating (30 micro inches)
- XXMM: Longer solder Pins up to 75 mm (3 in.)  
 Protruding length of pins, in millimeters:
- BS: Copper Alloy Screw

- Request sample**
- Request quote**

Quantity

**Accessories**

- [BST Self Adhesive Marking Strips. Consecutively numbered. Jumper, Type 970-J1.](#)
- [Jumper, Type 970-J2.](#)

**Note:** Plated component: terminal body

970-T

WIRE PROTECTOR:  
with: - DS

POLES:  
02 and 03

Add to shopping cart