



Plug-in Screw Connector System for Printed Circuit Boards

TYPE 970-NFBW (-DS)

5 mm spacing - 2 to 12 poles



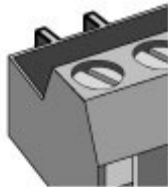
Distributor Stock Check



970-NFBW (-DS)



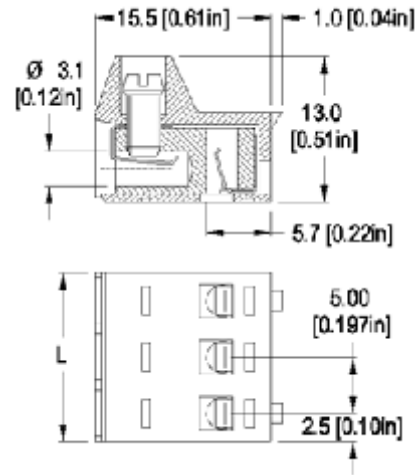
One possible variation of assembly



Interlocking Tabs mate with 971-FBWP Header



RoHS WEEE Pb free surface compliant



Dimensions: mm (in.)

Length of Connector (L)

L = No. of Poles x Center to Center Spacing

When locating connector, allow 0.5 mm clearance around it for process-induced variations.

Approval Information

UL File No.E69841

CSA File No.LR24322

| Rating | Current(A) | Voltage(V) | Application group | AWG |
|--------|------------|------------|-------------------|-------|
| UL | 20 | 300 | B,D | 22-12 |
| CSA | 10 | 300 | B,D,E | 22-10 |

* UL: 26-12 AWG range for factory wiring only. Version DS is CSA certified for 26-14 AWG.

Screw Tightening Torque:

UL: 4.5 lbf·in

CSA: 0.51 Nm

International Approvals:



Rated Impulse Withstand Voltage: 2500 V

Description

Type 970-NFBW (-DS) plug feature a more secure and reliable connection by means of interlocking tabs.

- Plug
- Plug-In Direction Perpendicular to PCB and Wire Entrance Parallel to PCB when plugged with 971-FBWP
- End-to-end stackable while maintaining the 5 mm spacing.

Technical Data

Center to Center Spacing: 5 mm (0.197 in.)

Nominal Cross Section:

2.5 mm² (3874 mils²)

Wire Stripping Length: 5.5 mm (0.22 in.)

Application

This product is recommended for applications which require additional plug to header retention, or in high vibration areas.

Material

Molding: Polyamide, self extinguishing UL 94, V-0, color grey

Temperature limits:

Short Time: 140°C (284°F)

Continuous: RTI 105°C (221°F)

Low Limit: -40°C (-40°F)

Comparative Tracking Index: CTI > 600

Oxygen Index Rating: 32%

Terminal Body: Tin plated copper alloy

Wire Protector: Tin plated copper alloy

Spring Clip: Stainless steel strip

Screw: M3, Slotted head, zinc plated blue passivated, steel substrate

Item **970-NFBW (-DS)**

Options

- CN: Consecutive Numbering (hot stamped numbers)
- SM: Special Marking (please provide sketch)
- PS: Clear Chromate Passivated, zinc plated, Steel Screws
- G05: Gold Plating (5 micro inches)
- G30: Gold Plating (30 micro inches)
- S30: Silver Plating (30 micro inches)

Note: Plated component: terminal body

Accessories

| | | | |
|-----------------|-------------------------------|---|--------------------|
| 970-NFBW | WIRE PROTECTOR: with: - DS | / | POLES: 02 to 12 |
|-----------------|-------------------------------|---|--------------------|