



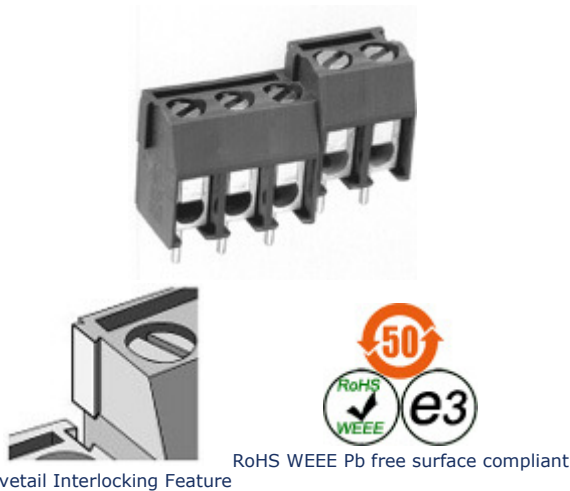
Screw Connectors for Printed Circuit Boards

TYPE 960-T (-DS)

0.2 in. spacing - 2 and 3 poles

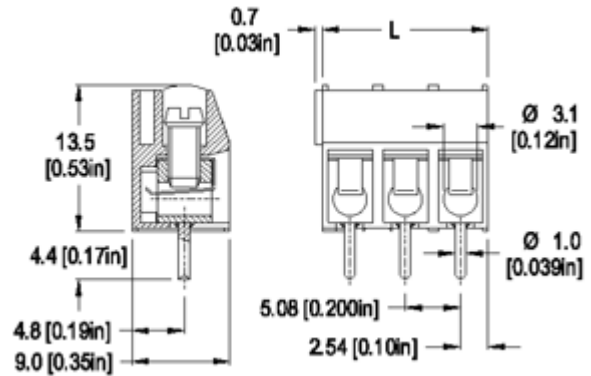


Distributor Stock Check



Dovetail Interlocking Feature

RoHS WEEE Pb free surface compliant



Dimensions: mm (in.)

Length of Connector (L)

L = No. of Poles x Center to Center Spacing

When locating connector, allow 0.5 mm clearance around it for process-induced variations.

Description

- Dovetail version
- Wire entrance parallel to PC Board
- Can be factory, field or distributor assembled to almost any length

Technical Data

Center to Center Spacing: 5.08 mm (0.200 in.)
Nominal Cross Section:
 2.5 mm² (3874 mils²)
Wire Stripping Length: 6.5 mm (0.26 in.)
Recommended Hole Diameter in PC Board:
 1.3 mm (0.051 in.)

Approval Information

UL File No.E69841
 CSA File No.LR24322

Rating	Current(A)	Voltage(V)	Application group	AWG
UL	20	300	B,D	26-12
CSA	15	300	B,D,E	22-10

* Version DS is CSA certified for 26-10 AWG.
 UL: 24-26 AWG range for factory wiring only.

Screw Tightening Torque:

UL: 4.5 lbf·in
 CSA: 0.51 Nm

International Approvals:



Rated Impulse Withstand Voltage: 2500 V

Material

Molding: Polyamide, self extinguishing UL 94, V-0, color grey
Temperature limits:
Short Time: 140°C (284°F)
Continuous: RTI 105°C (221°F)
Low Limit: -40°C (-40°F)
Comparative Tracking Index: CTI > 600
Oxygen Index Rating: 32%

Terminal Body: Tin plated copper alloy

Wire Protector: Tin plated copper alloy

Screw: M3, Slotted head, zinc plated blue passivated, steel

substrate
Solder Pin: Ø 1.0 mm (0.04 in.), Tin plated copper alloy

Item

960-T (-DS)

Options

- CN: Consecutive Numbering (hot stamped numbers)
 - SM: Special Marking (please provide sketch)
 - PS: Clear Chromate Passivated, zinc plated, Steel Screws
 - WG: Wire Guide
 - G05: Gold Plating (5 micro inches)
 - G30: Gold Plating (30 micro inches)
 - S30: Silver Plating (30 micro inches)
 - XXMM: Longer solder Pins up to 75 mm (3 in.)
- Protruding length of pins, in millimeters:
- BS: Copper Alloy Screw

Note: Plated component: terminal body

Accessories

960-T

WIRE PROTECTOR:
with: - DS

/

POLES:
02 and 03