



PRODUCT SEARCH

TYPE NUMBER e.g.120-A-111

ARTICLE NUMBER e.g.20.874.002

PRODUCTS



CROSS-REFERENCE

Screw Connectors for Printed Circuit Boards

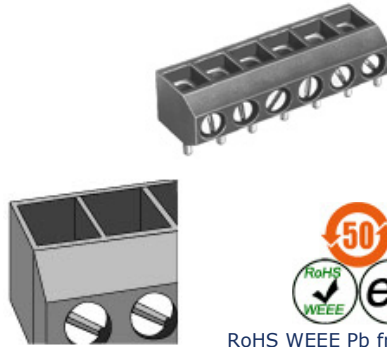
TYPE 951-HG (-DS)

5 mm spacing - 2 to 32 poles



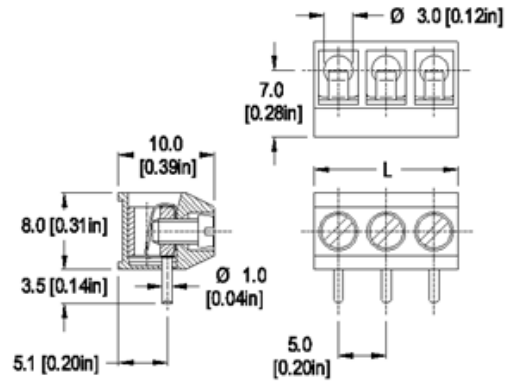
Distributor Stock Check

Series	Download PDF	3D Model	Can plug with	How to order	Color specifications	Print
--------	--------------	----------	---------------	--------------	----------------------	-------



Closed Back

RoHS WEEE Pb free surface compliant



Dimensions: mm (in.)

Length of Connector (L)

L = No. of Poles x Center to Center Spacing

When locating connector, allow 0.5 mm clearance around it for process-induced variations.

Description

These blocks have a closed back (-HG designation) to allow the effective use of potting compounds. It can be made with longer pins.

- Solid version
- Low profile
- Wire entrance perpendicular to PC Board

Technical Data

Center to Center Spacing: 5 mm (0.197 in.)
Nominal Cross Section: 1.5 mm² (2325 mils²)
Wire Stripping Length: 6 mm (0.25 in.)
Recommended Hole Diameter in PC Board: 1.3 mm (0.051 in.)

Approval Information

UL File No.E69841
 CSA File No.LR24322

Rating	Current(A)	Voltage(V)	Application group	AWG
UL	15	300	B	26-14
CSA	15	300	B	26-12

* Version DS is CSA certified for 26-14 AWG.

Screw Tightening Torque:

UL: 3.5 lbf·in
 CSA: 0.4 Nm

International Approvals:



Rated Impulse Withstand Voltage: 2500 V

Material

Version: 2 to 8 poles
Molding: Polyamide, self extinguishing UL 94, V-0, color grey
Temperature limits:
Short Time: 140°C (284°F)
Continuous: RTI 105°C (221°F)
Low Limit: -40°C (-40°F)
Comparative Tracking Index: CTI≥600V
Oxygen Index Rating: 32%

Version: 9 to 32 poles
Molding: Polyamide (glass fiber reinforced), self

extinguishing UL 94, V-0, color grey
Temperature limits:
Short Time: 200°C (392°F)
Continuous: RTI 105°C (221°F)
Low Limit: -40°C (-40°F)
Comparative Tracking Index: CTI > 175
Oxygen Index Rating: 33%

Terminal Body: Tin plated copper alloy
Wire Protector: Tin plated copper alloy
Screw: M2.6, Slotted head, zinc plated blue passivated, steel substrate
Solder Pin: Ø 1.0 mm (0.04 in.), Tin plated copper alloy

[Top of page](#)

How to order

Item — **951-HG (-DS)**

Options

- CN: Consecutive Numbering (hot stamped numbers)
- SM: Special Marking (please provide sketch)
- BS: Copper Alloy Screw
- PS: Zinc plated clear Passivated, steel substrate
- G05: Gold Plating (5 micro inches)
- G30: Gold Plating (30 micro inches)
- S30: Silver Plating (30 micro inches)
- XXMM: Longer solder Pins up to 75 mm (3 in.)

Protruding length of pins, in millimeters: _____

Note: Plated component: terminal body

Ordering Note: Version with 10 mm spacing (953-HG (-DS)).

- Request sample**
- Request quote**

Quantity

Accessories

[BST Self Adhesive Marking Strips. Consecutively numbered. Jumper, Type 970-J1.](#)

951-HG

WIRE PROTECTOR:
with: - DS

POLES:
02 to 32

[Add to shopping cart](#)

2008, WECO Electrical Connectors Inc.

ISO 9001 registered quality management system