



**Screw Connectors for Printed Circuit Boards**

**TYPE 951 (-DS)**

5 mm spacing - 2 to 32 poles



Distributor Stock Check

Series	Download PDF	3D Model	Can plug with	How to order	Color specifications
--------	--------------	----------	---------------	--------------	----------------------



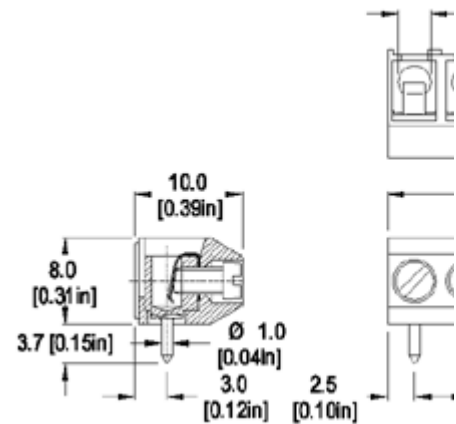
RoHS WEEE Pb free surface compliant

**Description**

- Solid version
- Low profile
- Wire entrance perpendicular to PC Board

**Technical Data**

**Center to Center Spacing:** 5 mm (0.197 in.)  
**Nominal Cross Section:** 1.5 mm<sup>2</sup> (2325 mils<sup>2</sup>)  
**Wire Stripping Length:** 6 mm (0.25 in.)  
**Recommended Hole Diameter in PC Board:** 1.3 mm (0.051 in.)



**Dimensions: mm (in.)**

Length of Connector (L)  
 L = No. of Poles x Center to Center S

**When locating connector, allow 0.5 mm around it for process-induced vari**

**Approval Information**

UL File No.E69841   
 CSA File No.LR24322

Rating	Current(A)	Voltage(V)	Applicatic group
UL	15	300	B
CSA	15	300	B

\* Version DS is CSA certified for 26-14 A/I

**Screw Tightening Torque:**

UL: 3.5 lbfin  
 CSA: 0.4 Nm

**International Approvals:**



**Rated Impulse Withstand Voltage: 25**

**Material**

**Version:** 2 to 8 poles  
**Molding:** Polyamide, self extinguishing UL color grey  
**Temperature limits:**  
**Short Time:** 140°C (284°F)  
**Continuous:** RTI 105°C (221°F)  
**Low Limit:** -40°C (-40°F)  
**Comparative Tracking Index:** CTI ≥ 60  
**Oxygen Index Rating:** 32%

**Version:** 9 to 32 poles  
**Molding:** Polyamide (glass fiber reinforced) extinguishing UL 94, V-0, color grey  
**Temperature limits:**  
**Short Time:** 200°C (392°F)  
**Continuous:** RTI 105°C (221°F)  
**Low Limit:** -40°C (-40°F)  
**Comparative Tracking Index:** CTI > 1  
**Oxygen Index Rating:** 33%

**Terminal Body:** Tin plated copper alloy  
**Wire Protector:** Tin plated copper alloy  
**Screw:** M2.6, Slotted head, zinc plated brass passivated, steel substrate  
**Solder Pin:** Ø 1.0 mm (0.04 in.), Tin plated alloy

Top of page

## How to order

**Item** — 951 (-DS)

**Options**

- CN: Consecutive Numbering (hot stamped numbers)
- SM: Special Marking (please provide sketch)
- BS: Copper Alloy Screw
- PS: Zinc plated clear Passivated, steel substrate
- G05: Gold Plating (5 micro inches)
- G30: Gold Plating (30 micro inches)
- S30: Silver Plating (30 micro inches)

- Request sample**
- Request quote**

Quantity

**Accessories**  
[BST Self Adhesive Marking Consecutively numbered Jumper, Type 970-J1.](#)

**Note:** Plated component: terminal body

**Ordering Note:** Voltage rating for 10 mm spacing is UL certified for 15A - 300V / B and for 10A - 300V / D (953 (-DS)).

951

WIRE PROTECTOR:  
with: - DS

POLES:  
02 to 32

Add to shopping cart