



PRODUCT SEARCH

951-DS/06

PRODUCTS COMPANY CONTACT US SUPPORT SITE MAP

FR e.g.20.874.002

PRODUCTS



CROSS-REFERENCE

Screw Connectors for Printed Circuit Boards

TYPE 951 (-DS)

5 mm spacing - 2 to 32 poles



Distributor Stock Check

Series	Download PDF	3D Model	Can plug with	How to order	Color specifications	Print
--------	--------------	----------	---------------	--------------	----------------------	-------



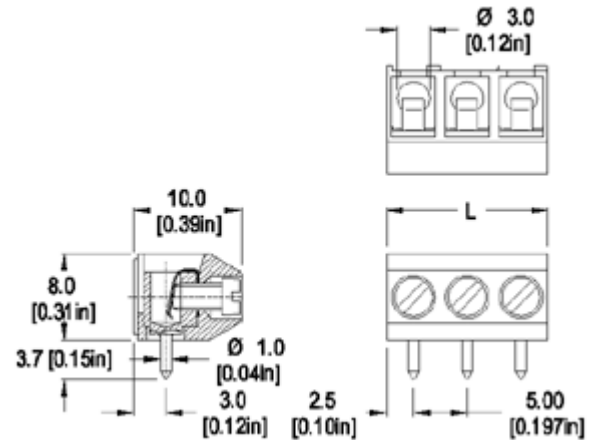
RoHS WEEE Pb free surface compliant

Description

- Solid version
- Low profile
- Wire entrance perpendicular to PC Board

Technical Data

Center to Center Spacing: 5 mm (0.197 in.)
Nominal Cross Section: 1.5 mm² (2325 mils²)
Wire Stripping Length: 6 mm (0.25 in.)
Recommended Hole Diameter in PC Board: 1.3 mm (0.051 in.)



Dimensions: mm (in.)

Length of Connector (L)

L = No. of Poles x Center to Center Spacing

When locating connector, allow 0.5 mm clearance around it for process-induced variations.

Approval Information

UL File No.E69841
 CSA File No.LR24322

Rating	Current(A)	Voltage(V)	Application group	AWG
UL	15	300	B	26-14
CSA	15	300	B	26-12

* Version DS is CSA certified for 26-14 AWG.

Screw Tightening Torque:

UL: 3.5 lbf·in

CSA: 0.4 Nm

International Approvals:



Rated Impulse Withstand Voltage: 2500 V

Material

Version: 2 to 8 poles
Molding: Polyamide, self extinguishing UL 94, V-0, color grey
Temperature limits:
Short Time: 140°C (284°F)
Continuous: RTI 105°C (221°F)
Low Limit: -40°C (-40°F)
Comparative Tracking Index: CTI ≥ 600V
Oxygen Index Rating: 32%

Version: 9 to 32 poles
Molding: Polyamide (glass fiber reinforced), self extinguishing UL 94, V-0, color grey
Temperature limits:
Short Time: 200°C (392°F)
Continuous: RTI 105°C (221°F)
Low Limit: -40°C (-40°F)
Comparative Tracking Index: CTI > 175
Oxygen Index Rating: 33%

Terminal Body: Tin plated copper alloy
Wire Protector: Tin plated copper alloy
Screw: M2.6, Slotted head, zinc plated blue passivated, steel substrate
Solder Pin: Ø 1.0 mm (0.04 in.), Tin plated copper alloy

▲
Top of page

How to order

Item — 951 (-DS)

- Options**
- CN: Consecutive Numbering (hot stamped numbers)
 - SM: Special Marking (please provide sketch)
 - BS: Copper Alloy Screw
 - PS: Zinc plated clear Passivated, steel substrate
 - G05: Gold Plating (5 micro inches)
 - G30: Gold Plating (30 micro inches)
 - S30: Silver Plating (30 micro inches)

- Request sample**
- Request quote**

Quantity | 1 |

Accessories
[BST Self Adhesive Marking Strips. Consecutively numbered.](#)
[Jumper, Type 970-J1.](#)

Note: Plated component: terminal body

Ordering Note: Voltage rating for 10 mm spacing is UL certified for 15A - 300V / B and for 10A - 300V / D (953 (-DS)).

951	WIRE PROTECTOR: with: - DS	POLES: 02 to 32	Add to shopping cart
------------	-------------------------------	--------------------	-----------------------------