



PRODUCT SEARCH

TYPE NUMBER e.g.120-A-111

PRODUCTS COMPANY CONTACT US SUPPORT SITE MAP

FR e.g.20.874.002

PRODUCTS



CROSS-REFERENCE

Plug-in Screw Connector System for Printed Circuit Boards

TYPE 950-T-FL-DS

5 mm spacing - 2, 3 and 8 poles



Distributor Stock Check

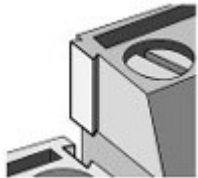
Series	Download PDF	3D Model	Can plug with	How to order	Color specifications	Print
--------	--------------	----------	---------------	--------------	----------------------	-------



950-T-FL-DS



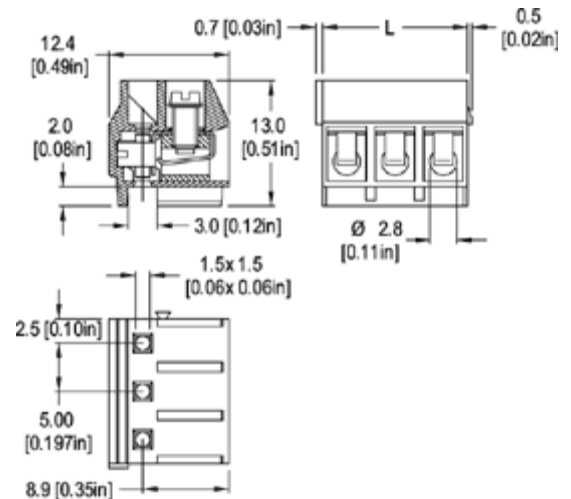
One possible variation of assembly



Dovetail Interlocking Feature



RoHS WEEE Pb free surface compliant



Dimensions: mm (in.)

Length of Connector (L)

L = No. of Poles x Center to Center Spacing

When locating connector, allow 0.5 mm clearance around it for process-induced variations.

Approval Information

UL File No.E69841

CSA File No.LR24322

Rating	Current(A)	Voltage(V)	Application group	AWG
UL	10	300	B	26-14
CSA	10	300	B,D,E	26-14

Screw Tightening Torque:

UL: 3.5 lbfin

CSA: 0.4 Nm

Rated Impulse Withstand Voltage: 2500 V

Description

- Plug
- Dovetail version
- Plug-In Direction Perpendicular to PCB and Wire Entrance Parallel to PCB when plugged with **971-SLK /-SLS /-SLW, 971-SLK-SMD, 971-SLK-THR, 971-SLK-CPL, 971-SLT-SMD, 950-SLR-SMD**
- Can be factory, field or distributor assembled to

almost any length

Material

Molding: Polyamide, self extinguishing UL 94, V-0, color grey
Temperature limits:
Short Time: 140°C (284°F)
Continuous: RTI 105°C (221°F)
Low Limit: -40°C (-40°F)
Comparative Tracking Index: CTI ≥ 600V
Oxygen Index Rating: 32%

Terminal Body: Nickel plated copper alloy
Wire Protector and Contact Spring: Tin plated copper alloy
Screw: M2.6, Slotted head, zinc plated blue passivated, steel substrate

Technical Data

Center to Center Spacing: 5 mm (0.197 in.)
Nominal Cross Section: 1.5 mm² (2325 mils²)
Wire Stripping Length: 6 mm (0.25 in.)

▲
Top of page

How to order

Item — 950-T-FL-DS

- Options**
- CN: Consecutive Numbering (hot stamped numbers)
 - SM: Special Marking (please provide sketch)
 - PS: Zinc plated clear Passivated, steel substrate
 - G05: Gold Plating (5 micro inches)
 - G30: Gold Plating (30 micro inches)
 - S30: Silver Plating (30 micro inches)
 - SLW: 971-SLW Pinstrips assembled to Plug

- Request sample**
- Request quote**

Quantity | 1

Accessories

[BST Self Adhesive Marking Strips. Consecutively numbered.](#)
[Jumper, Type 970-J1.](#)
[LST Single Pins.](#)

Note: Plated component: wire protector

Ordering Note: Voltage rating for 10 mm spacing is UL certified for 10A - 300V / B,D (952-T-FLDS).

POLES:
02, 03 and 08

950-T-FL-DS/

Add to shopping cart