



PRODUCT SEARCH

950-FL-DS/08-001

Re.g.20.874.002

PRODUCTS

COMPANY

CONTACT US

SUPPORT

SITE MAP

PRODUCTS

Reps and Distributors



CROSS-REFERENCE

Customer Service

Terms & Conditions/Customers

Terms & Conditions/Vendors

## Plug-in Screw Connector System for Printed Circuit Boards

### TYPE 950-FL-DS

5 mm spacing - 2 to 24 poles



Distributor Stock Check

Series	Download PDF	3D Model	Can plug with	How to order	Color specifications	Print
--------	--------------	----------	---------------	--------------	----------------------	-------



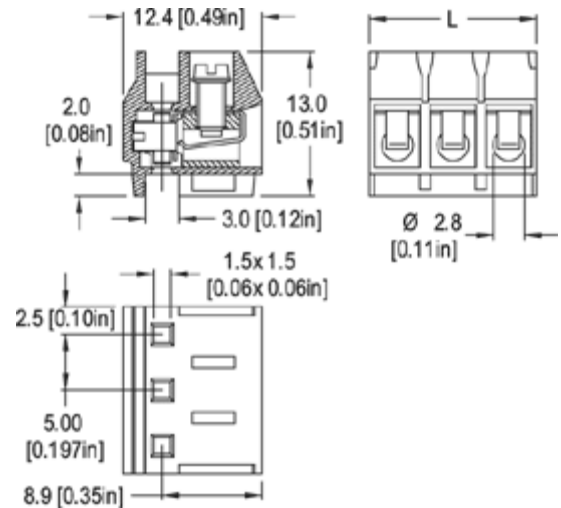
950-FL-DS



One possible variation of assembly



RoHS WEEE Pb free surface compliant



Dimensions: mm (in.)

Length of Connector (L)

L = No. of Poles x Center to Center Spacing

When locating connector, allow 0.5 mm clearance around it for process-induced variations.

### Description

A wire harness plug that can be plugged from either top or bottom. It can be stacked one on top of the other on a pinstrip header equipped with suitably long pins. Signals and power can be distributed to multiple wire harnesses when these units are stacked.

- Plug
- Solid version
- Plug-In Direction Perpendicular to PCB and Wire Entrance Parallel to PCB when plugged with **971-SLK /-SLS /-SLW, 971-SLK-SMD, 971-SLK-THR, 971-SLT-SMD, 971-SLR-SMD, 971-SLR-THR**
- Plug-In Direction Parallel to PCB and Wire Entrance Perpendicular to PCB when plugged with **950-SLS**

### Technical Data

### Approval Information

UL File No.E69841

CSA File No.LR24322

Rating	Current(A)	Voltage(V)	Application group	AWG
UL	10	300	B	26-14
CSA	10	300	B,D,E	26-14

### Screw Tightening Torque:

UL: 3.5 lbf·in

CSA: 0.4 Nm

**Rated Impulse Withstand Voltage: 2500 V**

**Center to Center Spacing:** 5 mm (0.197 in.)  
**Nominal Cross Section:** 1.5 mm<sup>2</sup> (2325 mils<sup>2</sup>)  
**Wire Stripping Length:** 6 mm (0.25 in.)

**Application**

This can be plugged with the 971-SLK /-SLS /-SLW. Entry of the pin can be on top side (971-SLK only) or on the bottom (971-SLK /-SLS /-SLW) of these plugs.

**Material**

**Version:** 2 to 12 poles  
**Molding:** Polyamide 6.6, self extinguishing UL 94, V-0, color grey  
**Temperature limits:**  
**Short Time:** 140°C (284°F)  
**Continuous:** RTI 105°C (221°F)  
**Low Limit:** -40°C (-40°F)  
**Comparative Tracking Index:** CTI ≥ 600V  
**Oxygen Index Rating:** 32%

**Version:** 13 to 24 poles  
**Molding:** Polyamide (glass fiber reinforced), self extinguishing UL 94, V-0, color grey  
**Temperature limits:**  
**Short Time:** 200°C (392°F)  
**Continuous:** RTI 105°C (221°F)  
**Low Limit:** -40°C (-40°F)  
**Comparative Tracking Index:** CTI > 175  
**Oxygen Index Rating:** 33%

**Terminal Body:** Nickel plated copper alloy  
**Wire Protector and Contact Spring:** Tin plated copper alloy  
**Screw:** M2.6, Slotted head, zinc plated blue passivated, steel substrate

▲  
Top of page

**How to order**

**Item** — 950-FL-DS

- Options**
- CN: Consecutive Numbering (hot stamped numbers)
  - SM: Special Marking (please provide sketch)
  - PS: Zinc plated clear Passivated, steel substrate
  - G05: Gold Plating (5 micro inches)
  - G30: Gold Plating (30 micro inches)
  - S30: Silver Plating (30 micro inches)
  - SLW: 971-SLW Pinstrips assembled to Plug

- Request sample**
- Request quote**

Quantity | 1 |

**Accessories**  
[BST Self Adhesive Marking Strips. Consecutively numbered.](#)  
[Jumper, Type 970-J1.](#)  
[LST Single Pins.](#)

**Note:** Plated component: wire protector

**Ordering Note:** Voltage rating for 10 mm spacing is UL certified for 10A - 300V / B,D (952-FL (-DS)).

950- TERMINAL BODY:  
chamfered: B standard: leave blank POLES:  
02 to 24 -FL-DS /

Add to shopping cart