



Plug-in Screw Connector System for Printed Circuit Boards

TYPE 950-FL-DS

5 mm spacing - 2 to 24 poles



Distributor Stock Check



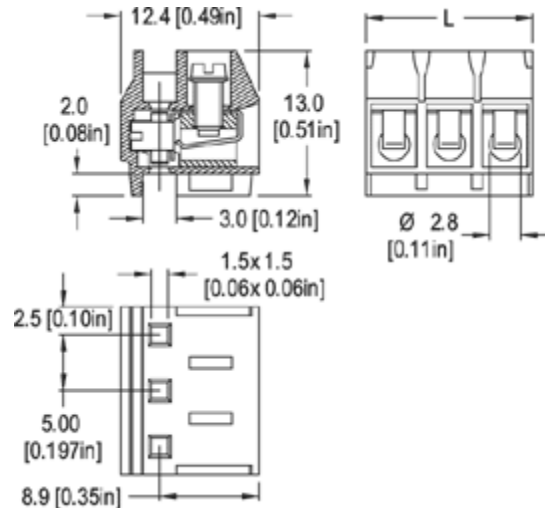
950-FL-DS



One possible variation of assembly



RoHS WEEE Pb free surface compliant



Dimensions: mm (in.)

Length of Connector (L)

L = No. of Poles x Center to Center Spacing

When locating connector, allow 0.5 mm clearance around it for process-induced variations.

Description

A wire harness plug that can be plugged from either top or bottom. It can be stacked one on top of the other on a pinstrip header equipped with suitably long pins. Signals and power can be distributed to multiple wire harnesses when these units are stacked.

- Plug
- Solid version
- Plug-In Direction Perpendicular to PCB and Wire Entrance Parallel to PCB when plugged with 971-SLK /-SLS /-SLW, 971-SLK-SMD, 971-SLK-THR, 971-SLT-SMD, 971-SLR-SMD, 971-SLR-THR
- Plug-In Direction Parallel to PCB and Wire Entrance Perpendicular to PCB when plugged with 950-SLS

Technical Data

Center to Center Spacing: 5 mm (0.197 in.)

Nominal Cross Section:

1.5 mm² (2325 mils²)

Wire Stripping Length: 6 mm (0.25 in.)

Application

This can be plugged with the 971-SLK /-SLS /-SLW. Entry of the pin can be on top side (971-SLK only) or on the bottom (971-SLK /-SLS /-SLW) of these plugs.

Approval Information

UL File No.E69841



CSA File No.LR24322

Rating	Current(A)	Voltage(V)	Application group	AWG
UL	10	300	B	26-14
CSA	10	300	B,D,E	26-14

Screw Tightening Torque:

UL: 3.5 lbf/in

CSA: 0.4 Nm

Rated Impulse Withstand Voltage: 2500 V

Material

Version: 2 to 12 poles

Molding: Polyamide 6.6, self extinguishing UL 94, V-0, color grey

Temperature limits:

Short Time: 140°C (284°F)

Continuous: RTI 105°C (221°F)

Low Limit: -40°C (-40°F)

Comparative Tracking Index: CTI > 600

Oxygen Index Rating: 32%

Version: 13 to 24 poles

Molding: Polyamide (glass fiber reinforced), self extinguishing UL 94, V-0, color grey

Temperature limits:

Short Time: 200°C (392°F)

Continuous: RTI 105°C (221°F)
Low Limit: -40°C (-40°F)
Comparative Tracking Index: CTI > 175
Oxygen Index Rating: 33%

Terminal Body: Nickel plated copper alloy
Wire Protector and Contact Spring: Tin plated copper alloy
Screw: M2.6, Slotted head, zinc plated blue passivated, steel substrate

Item

950-FL-DS

Options

- CN: Consecutive Numbering (hot stamped numbers)
- SM: Special Marking (please provide sketch)
- PS: Clear Chromate Passivated, zinc plated, Steel Screws
- G05: Gold Plating (5 micro inches)
- G30: Gold Plating (30 micro inches)
- S30: Silver Plating (30 micro inches)
- SLW: 971-SLW Pinstrips assembled to Plug

Note: Plated component: wire protector

Ordering Note: Voltage rating for 10 mm spacing is UL certified for 10A - 300V / B,D (952-FL (-DS)).

Accessories

950-	TERMINAL BODY: chamfered: B standard: leave blank _____	-FL-DS /	POLES: 02 to 24 _____
-------------	---	----------	-----------------------------