



Screw Connectors for Printed Circuit Boards

TYPE 950 (-DS)

5 mm spacing - 2 to 32 poles



Distributor Stock Check



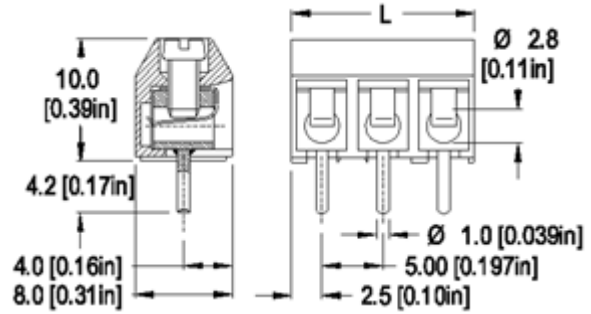
RoHS WEEE Pb free surface compliant

Description

- Solid version
- Low profile
- Wire entrance parallel to PC Board

Technical Data

Center to Center Spacing: 5 mm (0.197 in.)
Nominal Cross Section:
 1.5 mm² (2325 mils²)
Wire Stripping Length: 6 mm (0.25 in.)
Recommended Hole Diameter in PC Board:
 1.3 mm (0.051 in.)



Dimensions: mm (in.)

Length of Connector (L)

L = No. of Poles x Center to Center Spacing

When locating connector, allow 0.5 mm clearance around it for process-induced variations.

Approval Information

UL File No.E69841
 CSA File No.LR24322

Rating	Current(A)	Voltage(V)	Application group	AWG
UL	15	300	B	26-14
CSA	15	300	B	26-12

* Version DS is CSA certified for 26-14 AWG.

Screw Tightening Torque:

UL: 3.5 lbf·in
 CSA: 0.4 Nm

International Approvals:



Rated Impulse Withstand Voltage: 2500 V

Material

Version: 2 to 8 poles
Molding: Polyamide, self extinguishing UL 94, V-0, color grey
Temperature limits:
Short Time: 140°C (284°F)
Continuous: RTI 105°C (221°F)
Low Limit: -40°C (-40°F)
Comparative Tracking Index: CTI > 600
Oxygen Index Rating: 32%

Version: 9 to 32 poles
Molding: Polyamide (glass fiber reinforced), self extinguishing UL 94, V-0, color grey
Temperature limits:
Short Time: 200°C (392°F)
Continuous: RTI 105°C (221°F)

