



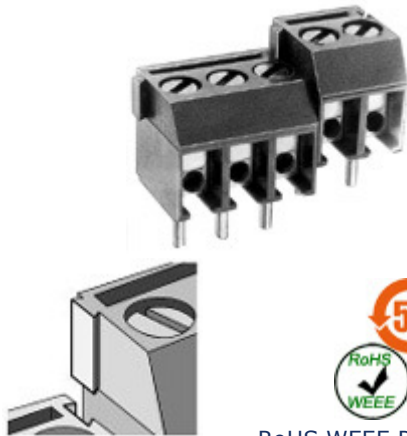
Screw Connectors for Printed Circuit Boards

TYPE 930-T (-DS)

3.5 mm spacing - 2 and 3 poles

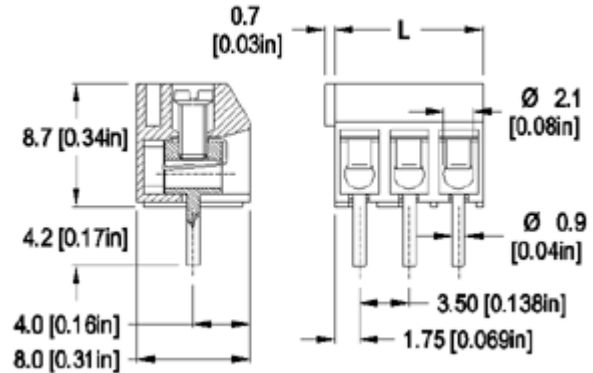


Distributor Stock Check



Dovetail Interlocking Feature

RoHS WEEE Pb free surface compliant



Dimensions: mm (in.)

Length of Connector (L)

L = No. of Poles x Center to Center Spacing

When locating connector, allow 0.5 mm clearance around it for process-induced variations.

Description

- Dovetail version
- Low profile
- Wire entrance parallel to PC Board
- Can be factory, field or distributor assembled to almost any length

Approval Information

UL File No.E69841

CSA File No.LR24322

Technical Data

Center to Center Spacing: 3.5 mm (0.138 in.)

Nominal Cross Section: 1 mm² (1550 mils²)

Wire Stripping Length: 6 mm (0.25 in.)

Recommended Hole Diameter in PC Board: 1.2 mm (0.047 in.)

Rating	Current(A)	Voltage(V)	Application group	AWG
UL	10	300	B	26-16
CSA	10	300	B	26-16

* DS version is CSA certified for 26-18 AWG.

Screw Tightening Torque:

UL: 2.0 lbf·in

CSA: 0.2 Nm

Rated Impulse Withstand Voltage: 2500 V

Material

Molding: Polyamide, self extinguishing UL 94, V-0, color grey

Temperature limits:

Short Time: 140°C (284°F)

Continuous: RTI 105°C (221°F)

Low Limit: -40°C (-40°F)

Comparative Tracking Index: CTI≥600V

Oxygen Index Rating: 33%

Terminal Body: Tin plated copper alloy
Wire Protector: Nickel silver
Screw: M2, Slotted head, zinc plated blue passivated, steel substrate
Solder Pin: Ø 0.9 mm (0.035 in.), Tin plated copper alloy

Item **930-T (-DS)**

- Options**
- CN: Consecutive Numbering (hot stamped numbers)
 - SM: Special Marking (please provide sketch)
 - G05: Gold Plating (5 micro inches)
 - G30: Gold Plating (30 micro inches)
 - S30: Silver Plating (30 micro inches)

Note: Plated component: terminal body

Accessories

930-T	WIRE PROTECTOR: with: - DS	/	POLES: 02 and 03
--------------	-------------------------------	---	---------------------