

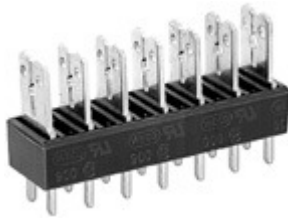


**Tab Connectors for Printed Circuit Boards**

**TYPE 900-S- /-SH- /-SUB- /-SUC- /-SUN- /-W- 7.5**  
7.5 mm spacing



Distributor Stock Check



RoHS WEEE Pb free surface compliant

**Description**

- Tab connector

**Technical Data**

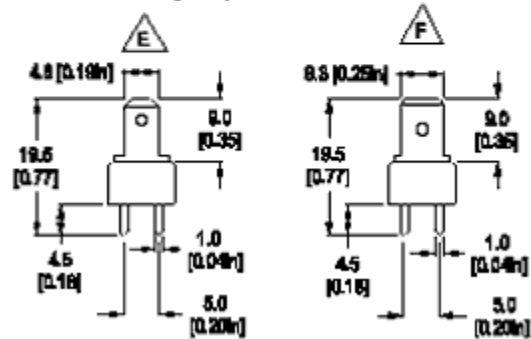
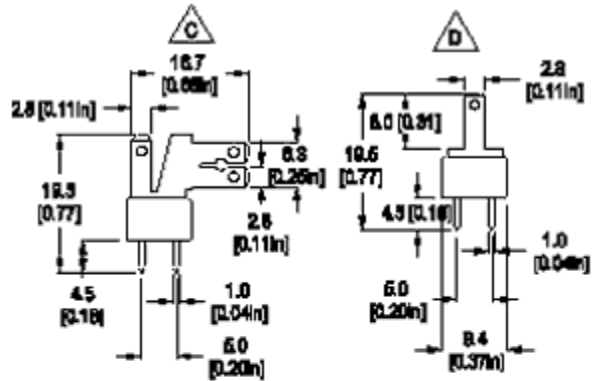
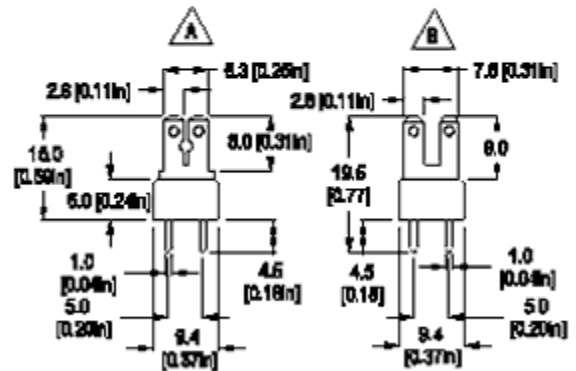
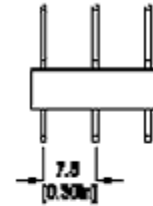
**Center to Center Spacing:** 7.5 mm (0.295 in.)

**Nominal Cross Section:**

with tab 2.8 mm: 1.0 mm<sup>2</sup> (1550 mils<sup>2</sup>) with tab 4.8 mm and 6.3 mm: 2.5 mm<sup>2</sup> (3874 mils<sup>2</sup>)

**Recommended Hole Diameter in PC Board:**

1.3 mm (0.051 in.)



Dimensions: mm (in.)

Length of Connector (L)



