

REVISIONS		RELEASE				
REV.	DESCRIPTION OF REVISION	DATE (YY-MM-DD)	DRAWN	VERIFIED FOR ENG.	APPROVED: MFG. ENG.	APPROVED: PROJ. CNTR.
-	First release	99-11-17	P.Y.	V.I.	L.P.	B.B.
A	ECN-217, B in Table, REM. ART NR.	01-01-16	V.I.	C.P.	B.B.	B.B.
B	ECN-299, Changed plating for item 1	02-09-18	S.R.	P.X.	X	X
C	ECN-452, Chg. B.O.M for item 1 and note for work instr	08-02-07	I.M.	S.R.	X	X

MANUFACTURING INFORMATION:

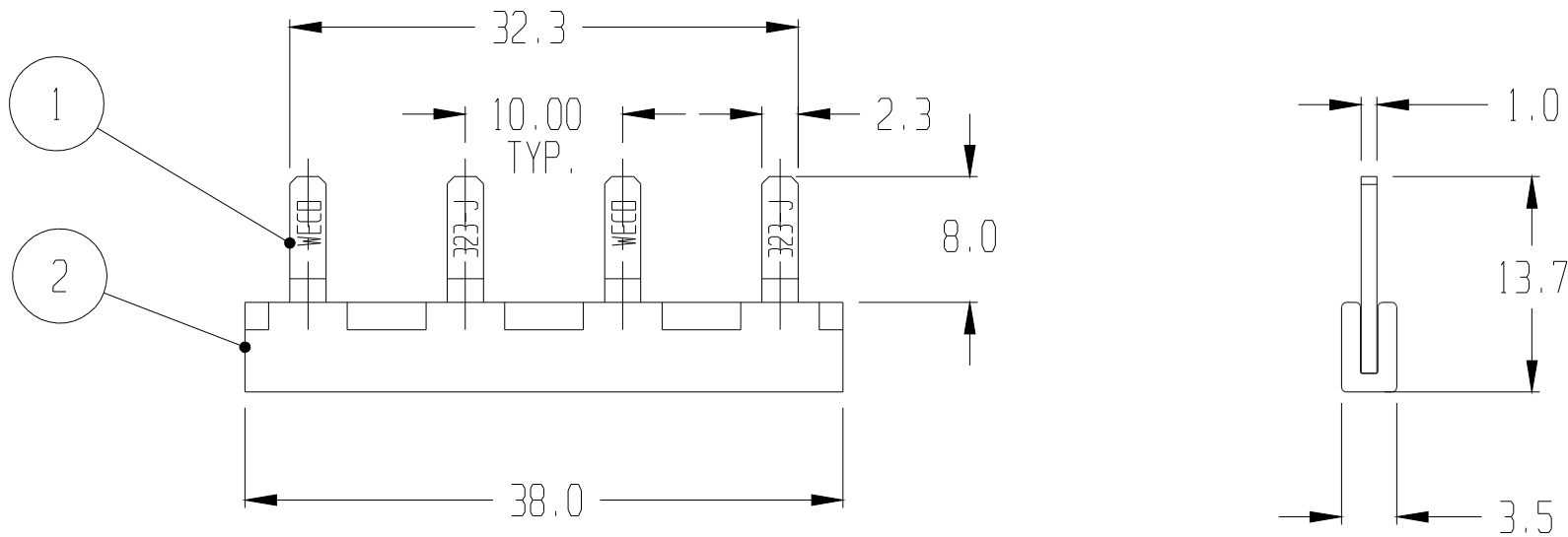
Cut metal jumper to length using: Tool # T0-047-02

Cut plastic insulation to length using: Press # PR-001-02 & Tool # T0-012-01

Parts to be glued by using loctite 380 all over metal length.



Insulation must have a breakdown voltage of more than 2200 V



0	0	X	X	X	THIS INFORMATION DISCLOSED HEREIN WAS ORIGINATED BY AND IS THE PROPERTY OF WECO ELECTRICAL CONNECTORS INC. AND EXCEPT FOR USES EXPRESSLY GRANTED TO A SECOND PARTY, WECO ELECTRICAL CONNECTORS INC. RESERVES ALL PATENT, PROPRIETARY, DESIGN, USE, SALE, MANUFACTURING AND REPRODUCTION RIGHTS THEREOF. THIS DOES NOT APPLY TO ANY VENDOR PARTS.	DRAWN	DATE (YMD)	WECO Electrical Connectors Inc. 1990 CLARK GRAHAM, BATE D'URFE, QC, H9X-3R8, CANADA			
0	0	X	X	X		S.R.	02-09-18				
0	0	X	X	X		MATERIAL	CHECK	DATE (YMD)	DESCRIPTION: 323-J/04		
0	0	X	X	X		SEE B.O.M.	P.X.	02-09-18			
2	04/12	JUMPER-INSULATION-323	20.497.025	PVC, PED, UL 94 V0	FINISH	WEIGHT (g)	DATE (YMD)	UNITS	SIZE	DRAWING NUMBER:	REV.
1	04/12	JUMPER-323/12-BK	20.497.077	C11000-Blank	SEE B.O.M.	X	10/02-09-04	mm	A	20.499.274	C
⊗	QTY.	DESCRIPTION	DRAWING NR.	MAT'L & FINISH	TOLERANCES ARE IN MILLIMETERS UNLESS OTHERWISE INDICATED: .X = ±.3 .XX = ±.12 ANGLES ± 1°	REPLACES:	SCALE			SHEET	OF
BILL OF MATERIALS						20499274B	1 : 1			1	1