



Multi-Point Tab and Screw Connectors for Panel / Chassis Mounting

TYPE 3070-PCM

11 mm spacing - 1 to 21 poles



Distributor Stock Check



RoHS WEEE Pb free surface compliant

Description

- Horizontal tab arrangements
- Recommended mounting hardware: M4 pan head screw (#8-32 pan head screw) or similar sized sheet metal screw, self-tapping screw or rivet.

Technical Data

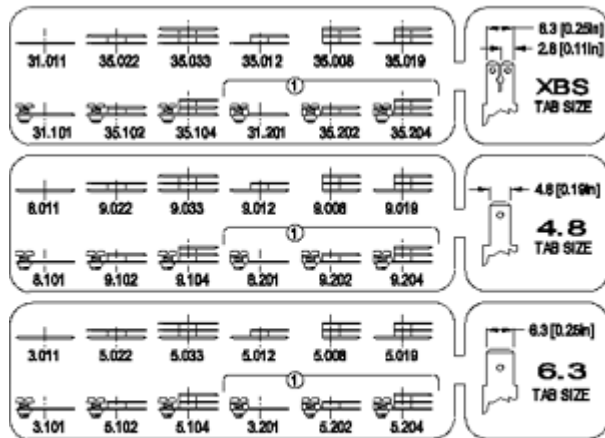
Center to Center Spacing: 11 mm (0.433 in.)

Nominal Cross Section:

2.8 mm (0.110 in.) tabs: 1 mm² (1550 mils²) 4.8 mm (0.187 in.) tabs: 2.5 mm² (3874 mils²) 6.3 mm (0.250 in.) tabs: 6 mm² (9299 mils²) Screw side: 4 mm² (6199 mils²)

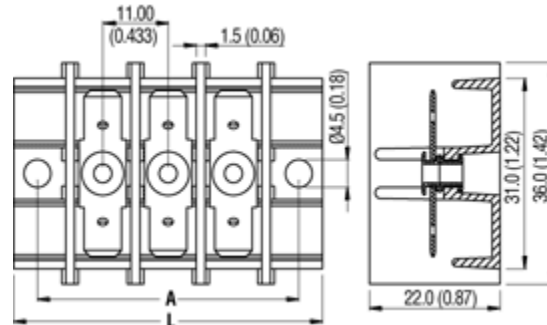
Wire Stripping Length: 8 mm (0.31 in.)

Illustration



① THESE ARRANGEMENTS FEATUR FLANGES TO PREVENT WIRES SLIPPING FROM UNDER THE SCREW HEAD

Tab arrangement



Dimensions: mm (in.)

Length of Connector (L)

L = No. of Poles x Center to Center Spacing + 19 mm

Distance between mounting hole centers (A)

A = No. of Poles x Center to Center Spacing + 11 mm

When locating connector, allow 0.5 mm clearance around it for process-induced variations.

Approval Information

UL File No.E69841

CSA File No.LR24322

Rating	Current(A)	Voltage(V)	Application group	AWG
UL	25	300	B,C	12 max.
CSA	25	300	B,C,D,E	18-14

* 4.8 mm tab versions are UL certified for 15 A.

Screw Tightening Torque:

UL: 10.0 lbf·in

CSA: 1.2 Nm

International Approvals:



Rated Impulse Withstand Voltage: 4000 V

Material

Molding: polycarbonate, self extinguishing to UL 94, V-0, color grey

Temperature limits:

Short Time: 135°C (274°F)

Continuous: RTI 105°C (221°F)

Low Limit: -100°C (-148°F)

Comparative Tracking Index: CTI > 110

Oxygen Index Rating: 40%

Terminal Body and Tabs: Nickel plated copper alloy

Screw and Pressure Plate: Slotted head, zinc plated blue passivated, steel substrate

Rivet: Tin plated copper alloy

(1) These arrangements feature flanges to prevent wires slipping from under the screw head.

Tab: 2.8 mm (0.110 in.), 4.8 mm (0.187 in.) or 6.3 mm (0.250 in.),
Screw: M4,

Item

3070-PCM

Options

- G05: Gold Plating (5 micro inches)
- G30: Gold Plating (30 micro inches)
- S30: Silver Plating (30 micro inches)
- SM: Special Marking (please provide sketch)

Note: Plated component: tab and spacer

Ordering Note: For versions which require a mix of tab arrangements or tab sizes, please include a sketch when ordering.

Accessories

	POLES: 01 to 21	TAB ARRANGEMENTS: (see table above)	TAB SIZE: (see table above) XBS, 4.8, 6.3
3070-PCM/	_____ -	_____ -	_____