



Screw Connectors for Printed Circuit Boards

TYPE 180-A-111

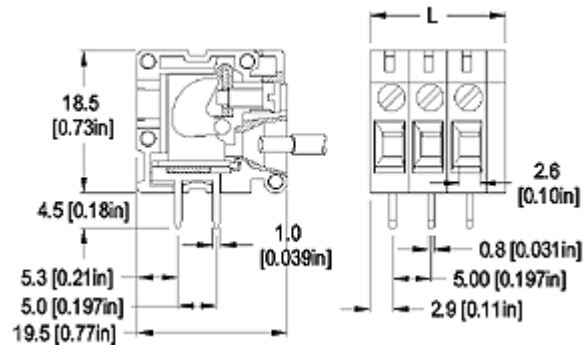
5 mm spacing - 1 to 12 poles



Distributor Stock Check



RoHS WEEE Pb free surface compliant



Dimensions: mm (in.)

Length of Connector (L)
 $L = (\text{No. of Poles} \times \text{Center to Center Spacing}) + 2.5 \text{ mm}$

When locating connector, allow 0.5 mm clearance around it for process-induced variations.

Description

- Horizontal version
- Wire entrance parallel to PC Board
- 2 PCB Pins per pole
- Screw and wire entrance on the same face.

Technical Data

Center to Center Spacing: 5 mm (0.197 in.)
Nominal Cross Section:
 2.5 mm² (3874 mils²)
Wire Stripping Length: 9 mm (0.35 in.)
Recommended Hole Diameter in PC Board:
 1.4 mm (0.055 in.)

Application

Excellent for installation within an enclosure enabling access to wire entry and screw from the outside. The profile of the block makes a neat tight fit with the enclosure walls. An offset of 0.5 mm (0.02 in.) deep by 4 mm (0.16 in.) wide, above the screw entry can be mated with correctly sized opening in an enclosure. The opening can be about 14.5 mm (0.57 in.) high by the width of the terminal block, this allows access to the face of the block and its screws and wire entries.

Approval Information

UL File No.E69841
 CSA File No.LR24322

Rating	Current(A)	Voltage(V)	Application group	AWG
UL	20	300	B	24-12
UL	10	300	D	24-12
CSA	20	300	B	24-12
CSA	10	300	D,E	24-12

Screw Tightening Torque:

UL: 3.5 lbf·in
 CSA: 0.4 Nm

Rated Impulse Withstand Voltage: 2500 V

Material

Molding: Polyamide, self extinguishing UL 94, V-0, color grey
Temperature limits:
Short Time: 140°C (284°F)
Continuous: RTI 105°C (221°F)
Low Limit: -40°C (-40°F)
Comparative Tracking Index: CTI > 600
Oxygen Index Rating: 33%

Clamp and Pressure Plate: Zinc plated blue passivated, steel substrate

Internal Bus with Solder Pins: Tin plated copper alloy
Screw: M2.5, Slotted head, zinc plated blue passivated, steel substrate

Solder Pin: 1.0 mm x 0.8 (0.04 in. x 0.03 in.),

Item

180-A-111

Options

- G05: Gold Plating (5 micro inches)
- G30: Gold Plating (30 micro inches)
- S30: Silver Plating (30 micro inches)

Note: Plated component: internal bus

Accessories

180-A-111/

POLES:
01 to 12
