



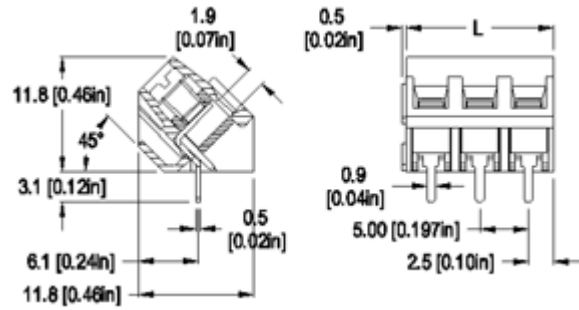
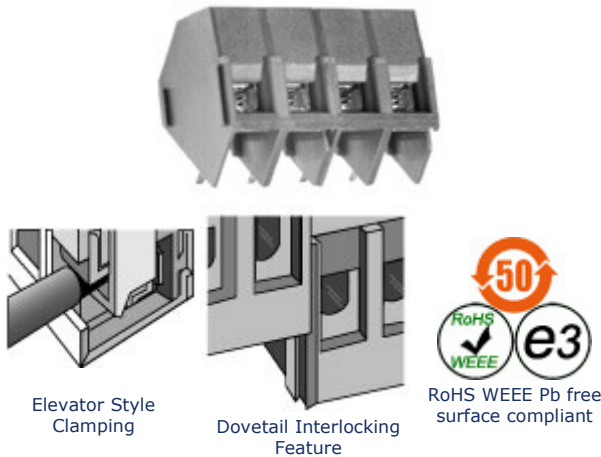
**Screw Connectors for Printed Circuit Boards**

**TYPE 140-C-111**

5 mm spacing - 2 to 24 poles



Distributor Stock Check



Dimensions: mm (in.)

L = Length of Connector (L)  
L = No. of Poles x Center to Center Spacing

**When locating connector, allow 0.5 mm clearance around it for process-induced variations.**

**Description**

Can be installed anywhere on PCB without wires or screws interfering with the rest of PCB. Can be located next to each other back-to-back, front-to-front and front-to-back. The screws and wire entries are easily visible, accessible and usable, an ergonomic advantage.

- Dovetail version
- Wire entrance at 45° angle to PC Board
- Elevator-style clamping mechanism
- Can be installed anywhere on PCB without wires or screws interfering with other components
- Can be factory, field or distributor assembled to almost any length

**Technical Data**

**Center to Center Spacing:** 5 mm (0.197 in.)  
**Nominal Cross Section:**  
 1.5 mm<sup>2</sup> (2325 mils<sup>2</sup>)  
**Wire Stripping Length:** 6 mm (0.25 in.)  
**Recommended Hole Diameter in PC Board:**  
 1.2 mm (0.047 in.)

**Approval Information**

UL File No.E69841   
 CSA File No.LR24322

Rating	Current(A)	Voltage(V)	Application group	AWG
UL	10	300	B,C,D	30-14
CSA	15	300	B	30-14
CSA	10	150	D,E	30-14

\* UL: 20A range for factory wiring only.

**Screw Tightening Torque:**

UL: 4.5 lbf·in  
 CSA: 0.51 Nm

**Rated Impulse Withstand Voltage:** 2500 V

**Material**

**Molding:** Polyamide, self extinguishing UL 94, V-0, color grey  
**Temperature limits:**  
**Short Time:** 140°C (284°F)  
**Continuous:** RTI 105°C (221°F)  
**Low Limit:** -40°C (-40°F)  
**Comparative Tracking Index:** CTI > 600  
**Oxygen Index Rating:** 33%

**Terminal Body:** Nickel plated copper alloy  
**Solder Pin and Pressure Plate:** Tin plated copper alloy  
**Screw:** M3, Slotted head, zinc plated blue passivated, steel substrate  
**Solder Pin:** 0.9 mm x 0.5 mm (0.04 in. x 0.02 in.),

**Item** 140-C-111

**Options**  CN: Consecutive Numbering (hot stamped numbers)

- SM: Special Marking (please provide sketch)
- BS: Copper Alloy Screw
- G05: Gold Plating (5 micro inches)
- G30: Gold Plating (30 micro inches)
- S30: Silver Plating (30 micro inches)

**Note:** Plated components: solder pin and pressure plate

**Accessories**

**140-C-111/**

POLES:  
02 to 24